



SKYHILLS INDUSTRIES

Precision.

Quality.

Excellence.



Global Leader in Machine Tools

1 Collet

2 Guide Bush

3 Feed Finger

**High Precision Collets & Guide Bushes
For Swiss Type CNC Automatic Lathe**



www.skyhillsindustries.com

Machines - Maschines - Maccine

 **WOODWAY**
THE ULTIMATE MACHINING POWER

ANCA[®]

*André Bechler SA
Moutier*

Cincom

CITIZEN
Micro_HumanTech

DOOSAN

 **Hanwha**

 **HARDINGE**

TORNOS 

INDEX
TRAUB

 **JINN FA**
Machine

KSI

CITIZEN
Miyano

MAIER

 **EWAG**

MANURHIN KMX

Miyano
The world leader in precision

NEXTURN
SWISS TURN LEADER

Machines - Maschines - Macchine

NOMURA

Petermann

POLYGIM

ROLLOMATIC

stair

Strohm

Swistek
HYBRID Type-Swiss CNC Lathes

TSUGAMI

TORNOS



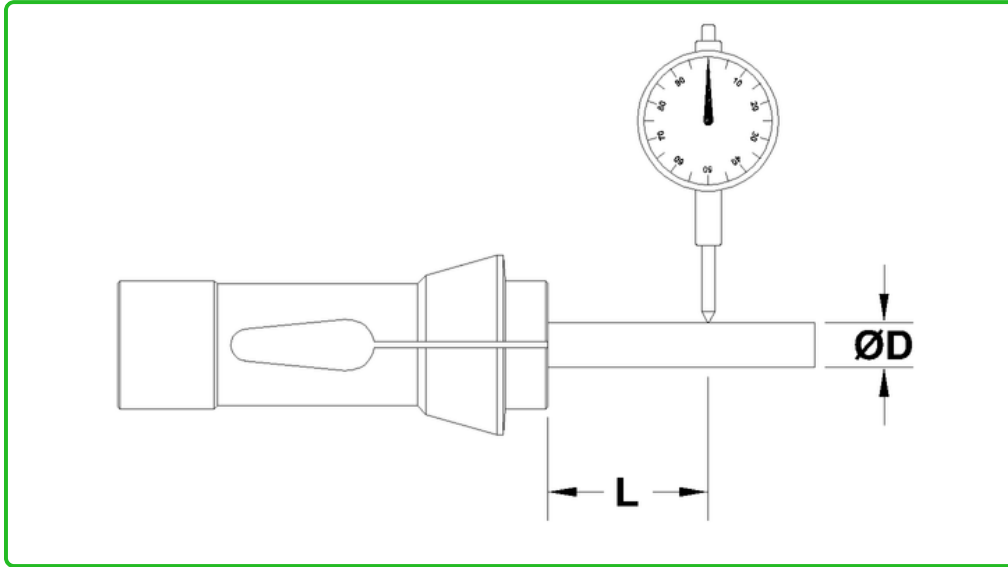
SKYHILLS INDUSTRIES



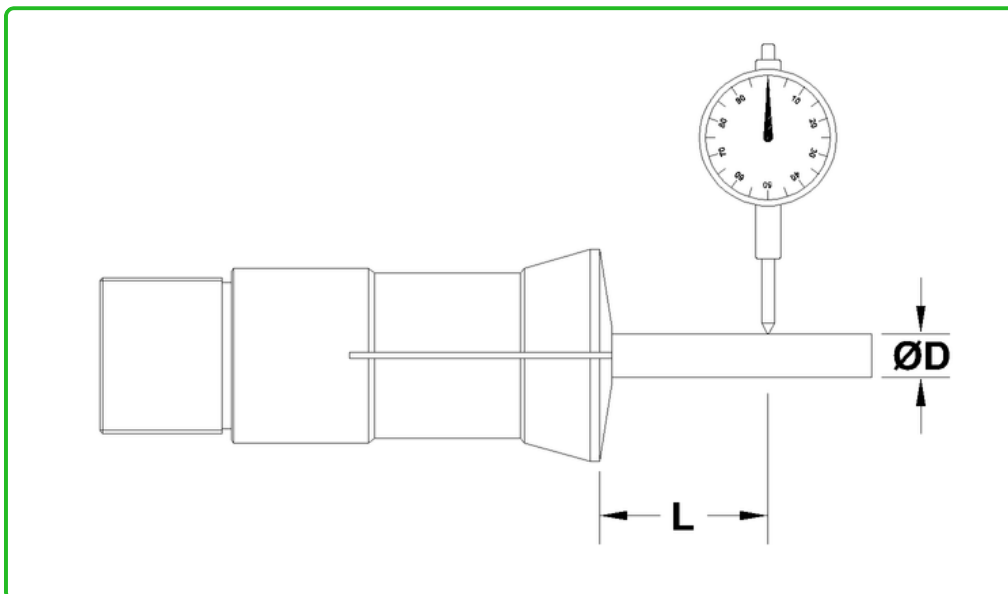
High Precision Collets & Guide Bushes For Swiss Type CNC Automatic Lathe



Runout



RUNOUT - COLLET



RUNOUT - GUIDE BUSH

Runout

RUN OUT TOLERANCE				
	Round Bores(T Maximum)		HEX./sq.Bores(T Maximum)	
Bore Size	Standard Precision	Ultra Precision	Standard Precision	Ultra Precision
1.00-10.00	0.010	0.005	0.060	0.030
10.01-20.00	0.015	0.008	0.060	0.040
20.01-30.00	0.020	0.010	0.060	0.040
30.01-40.00	0.025	0.012	0.060	0.040

Factory



Precision Perfected Here



SkyHills Industries

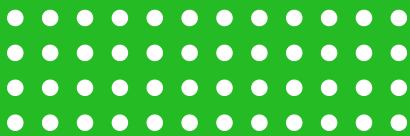
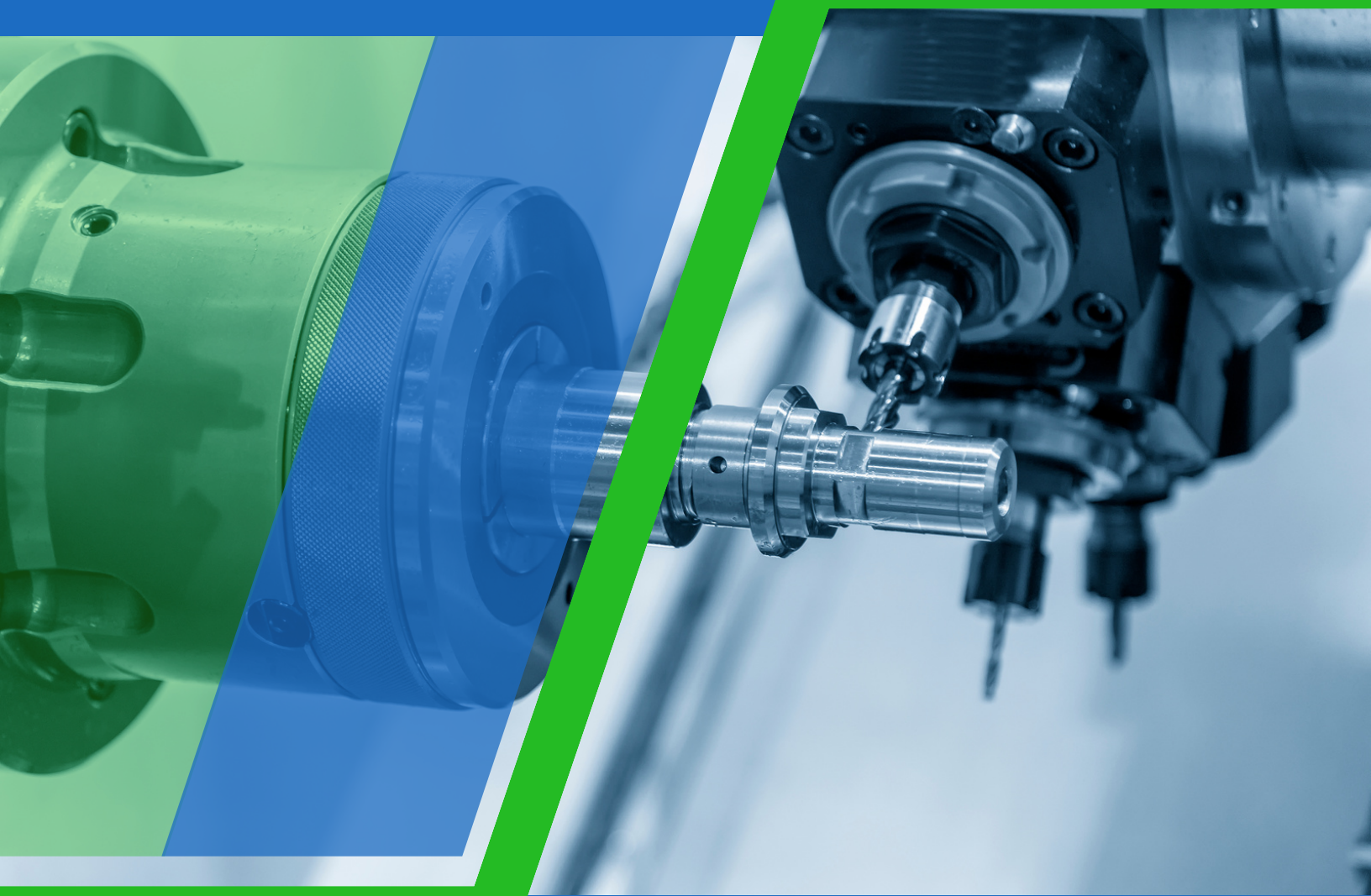
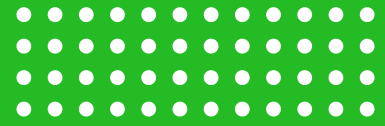
www.skyhillsindustries.com





SKY HILLS INDUSTRIES

Precision. Quality. Excellence.



SkyHills Industries



+91 90420 18641 , 0422 2981448



SF.NO 697/2, GD,33. SRINIVASA NAGAR,
KURICHI VILLAGE, MADUKKARAI ROAD,
COIMBATORE, TAMILNADU-641021.



info@skyhillsindustries.com



www.skyhillsindustries.com



www.skyhillsindustries.com



+91 90420 18641



Coimbatore