



# SKYHILLS INDUSTRIES

Precision.

Quality.

Excellence.



## Global Leader in Machine Tools

**1 Collet**

**2 Guide Bush**

**3 Feed Finger**

**High Precision Collets & Guide Bushes  
For Swiss Type CNC Automatic Lathe**



[www.skyhillsindustries.com](http://www.skyhillsindustries.com)

# Machines - Maschines - Maccine

 **WOODWAY**  
THE ULTIMATE MACHINING POWER

**ANCA**<sup>®</sup>

*André Bechler SA  
Moutier*

**Cincom**

**CITIZEN**  
Micro\_HumanTech

**DOOSAN**

 **Hanwha**

 **HARDINGE**

**TORNOS** 

**INDEX**  
**TRAUB**

 **JINN FA**  
Machine

**KSI**

**CITIZEN**  
**Miyano**

**MAIER**

 **EWAG**

**MANURHIN KMX**

**Miyano**  
The world leader in precision

**NEXTURN**  
SWISS TURN LEADER

# Machines - Maschines - Macchine

**NOMURA**

*Petermann*

**POLYGIM**

**ROLLOMATIC**

**stair**

*Strohm*

**Swistek**  
HYBRID Type-Swiss CNC Lathes

**TSUGAMI**

**TORNOS**



# SKYHILLS INDUSTRIES



## High Precision Collets & Guide Bushes For Swiss Type CNC Automatic Lathe

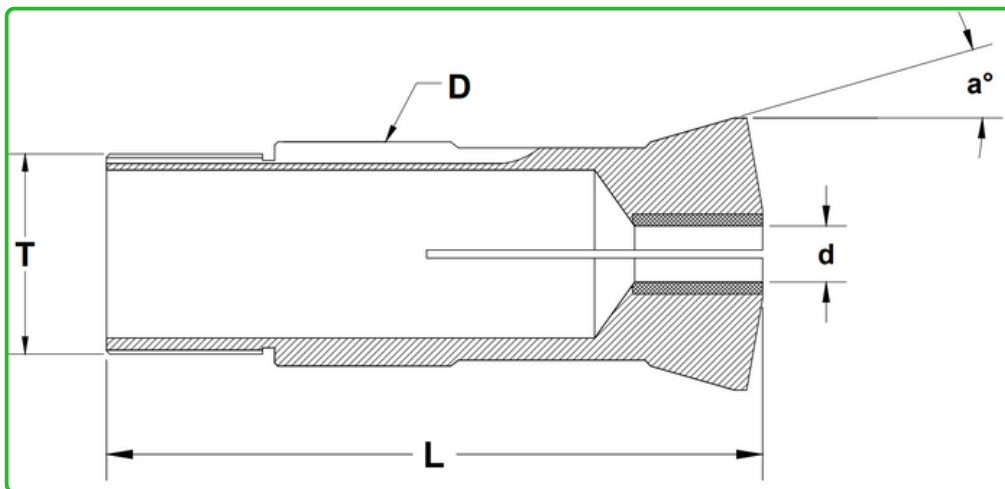


# GUIDE BUSH

Elevate Your Machining Game With Our High-Precision Collets And Guide Bushes

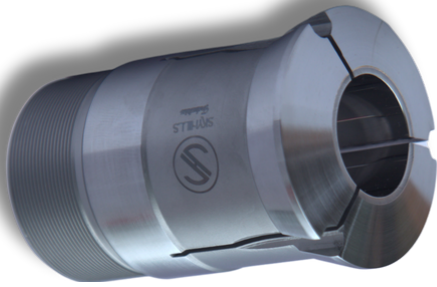


"Precision is not just a goal; it's our identity. Discover the difference with SkyHills Industries."

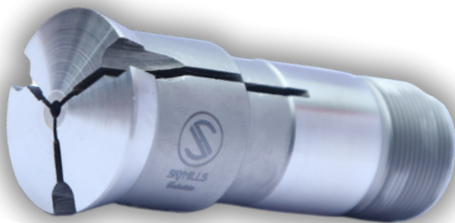


All dimensions are in millimeters (mm)

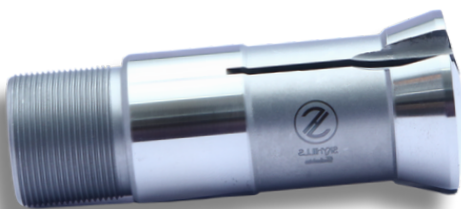
# GUIDE BUSH



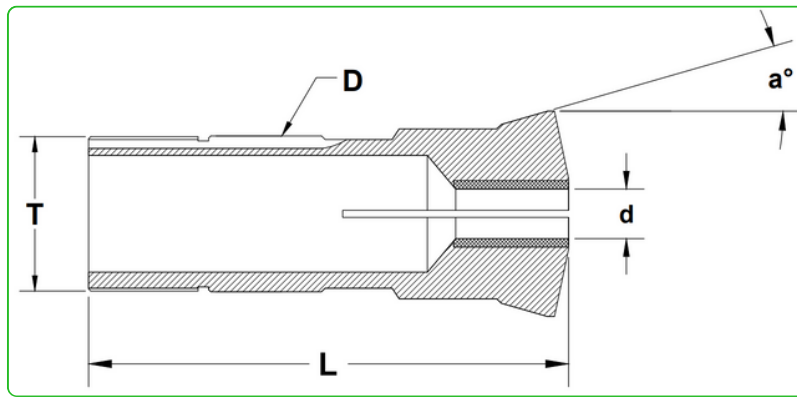
**CARBIDE LINED GUIDE BUSH WITH REINFORCED SHANK TYPE**



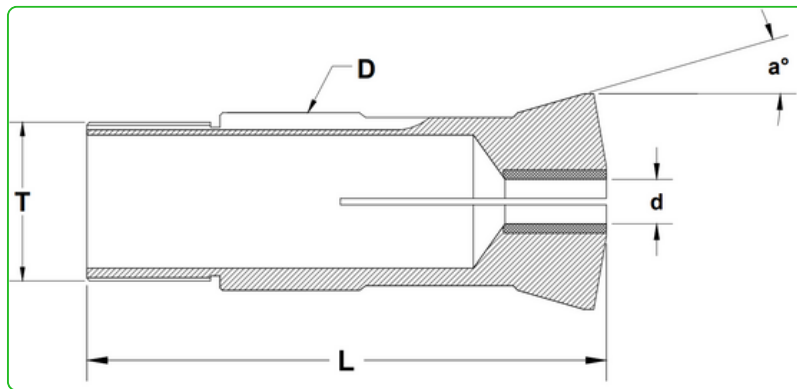
**CARBIDE LINED GUIDE BUSH-DRAWN TYPE**






# GUIDE BUSH



**GUIDE BUSH - WITH REINFORCED SHANK TYPE**






**GUIDE BUSH DRAWN TYPE**

Drawing Nr. / Part Nr.	Guide dia	Total Length	Thread	Angle	Capacity		
					Round	Hexagon	Square
	Ø D	L	T	a°			
SH-R22/05	22	68	M22x1	16°	16	13	11
SH-R34/06	34	150	M32x1.50	20°	27	22	19

All Dimensions are in mm | Unless Otherwise Specified



Drawing Nr. / Part Nr.	Guide dia	Total Length	Thread	Angle	Capacity		
					Round	Hexagon	Square
	Ø A	Ø B	T	a°			
SH-R7/02	7	30	M6x0.5	16°	3.5	-	-
SH-R9/01	9	44	M8X0.5	16°	5	4	3
SH-R9/03	9	38.5	M8x0.75	16°	5	4	3
SH-R9/06	9	51	M8x0.8	30°	5	4	3
SH-R9/09	9	44	M8x0.75	16°	5	4	3
SH-R10/03	10	58	M10x0.75	12°	5.5	4	3
SH-R11/02	11	53	M10x0.75	16°	7	5	4
SH-R11/04	11	53	M10x0.75	16°	7	5	4
SH-R11/09	11	53	M10x1	16°	7	5	4
SH-R11/10	11	57	M10x0.75	16°	7	5	4
SH-R11/11	11	52.4	M10x0.75	16°	7	5	4
SH-R11/12	11	53	M10x0.80	16°	7	5	4
SH-R12/01	12	52	M12x1	30°	7	5	4
SH-R12/02	12	50	M10x0.75	16°	7	5	4
SH-R12/05	12	50	M10x0.75	16°	7	5	4
SH-R12/07	12	50	M12x1	30°	7.5	6	5
SH-R12/08	12	50	M10x0.5	30°	7	5	4

All Dimensions are in mm | Unless Otherwise Specified

\*table to be continued

SH-R12/09	12	50	M12x1	30°	7.5	6	5
SH-R13/01	13	41.5	M12x0.75	15°	8	6	5
SH-R14/02	14	64	M13x0.75	16°	8.5	7	6
SH-R14/03	14	62	M14x1	15°30'	8.5	7	6
SH-R15/02	15	54	M14x1	16°	10	8	7
SH-R15/03	15	54	M14x0.75	15°	8.5	7	6
SH-R16/01	16	50	M14x1	16°	10	8	7
SH-R16/03	16	60	M14x1	30°	10	8	7
SH-R16/06	16	55	M16x1	30°	10	8	7
SH-R16/07	16	63	M14x1	15°30'	10	8	7
SH-R16/10	16	58	M14x1	16°	10	8	7
SH-R16/12	16	59	M14x1	16°	10	8	7
SH-R16/15	16	59	M15x1	16°	11	9	8
SH-R16/16	16	58.5	M14x1	20°	10	8	7
SH-R18/01	18	59	M16x1	30°	12	10	8
SH-R18/02	18	60	M18x1	30°	13	10	9
SH-R18/03	18	60	M18x1	30°	13	10	9
SH-R20/01	20	55	M20x1	30°	14	11	9
SH-R20/06	20	55	M20x1	30°	13	11	9
SH-R20/07	20	58	M18x1	15°	13	11	9
SH-R21/03	21	57.5	M18x1	12°	14	11	9
SH-R22/01	22	68	M19x1	16°	14	11	9
SH-R22/03	22	70	M20x1	15°	15.5	13	11
SH-R22/08	22	68	M22x1	16°	16	13	11
SH-R23/01	23	72	M22x1	16°	16.5	14	11

All Dimensions are in mm | Unless Otherwise Specified

\*table to be continued

SH-R24/03	24	61	M24x1	30°	16	13	11
SH-R26/02	26	77	M25x1	16°	20	17	14
SH-R27/03	27	57.5	M24x1	12°	18	15	12
SH-R28/02	28	81	M25x1	30°	20.5	17	14
SH-R28/04	28	82	M25x1	16°	20.5	17	14
SH-R28/05	28	82	M27x1	16°	22	18	15
SH-R30/01	30	70	M28x1	16°	20.5	17	14
SH-R30/02	30	85	M28x1	16°	20.5	17	14
SH-R30/04	30	59	M30x1	15°	22	19	15
SH-R30/05	30	59	M30x1	16°	22	19	15
SH-R30/06	30	68	M30x1	16°	22	19	15
SH-R30/07	30	70	M30x1	16°	22	19	15
SH-R32/02	32	71	M32x1	30°	23	19	16
SH-R32/03	32	74	M32x1	30°	24	21	17
SH-R33/01	33	70	M30x1	16°	26	22	18
SH-R34/02	34	87.5	M34x1	10°	27.5	23	19
SH-R36/02	36	89.5	M36x1	13°	25	21	18
SH-R40/03	40	72	M36x1	30°	29	25	20
SH-R40/05	40	72	M40x1	30°	30	25	21
SH-R41/01	41	54	M38x1	10°	32	27	22
SH-R41/02	41	82	M38x1	10°	32	27	22

All Dimensions are in mm | Unless Otherwise Specified

\*table to be continued

SH-R42/01	42	82	M40x1	16°	33	28	23
SH-R42/02	42	82	M40x1	20°30'	33	28	23
SH-R42/04	42	82	M40x1	20°	33	28	23
SH-R44/01	44	87	M40x1	20°	33	28	23
SH-R45/01	45	82	M42x1	16°	36	30	25
SH-R46/01	46	92	M45x1	16°	38	32	26
SH-R46/02	46	82	M45x1	16°	38	32	26
SH-R48/02	48	81	M48x1.25	30°	38	33	27
SH-R48/04	48	82	M46x1	16°	38	33	27
SH-R48/06	48	81	M46x1	10°	38	33	27
SH-R50/02	50	82	M49x1	19°	42	36	29
SH-R52/01	52	99	M48x1.5 LH	10°	40	34	28
SH-R52/02	52	95	M50x1	16°	43	37	30

All Dimensions are in mm | Unless Otherwise Specified

# Factory



Precision Perfected Here



## SkyHills Industries

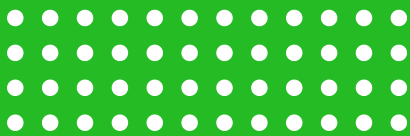
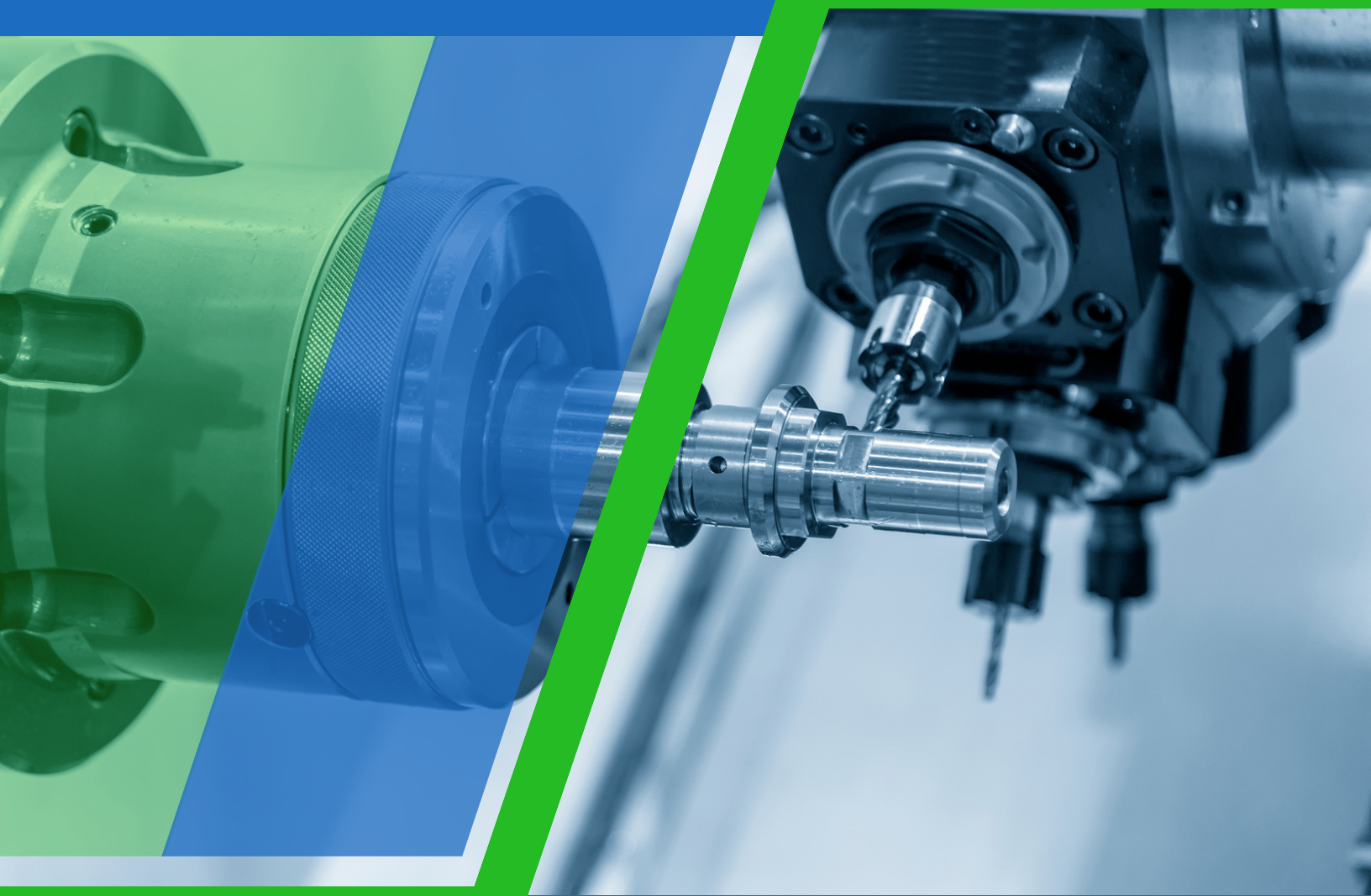
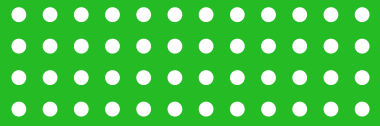
[www.skyhillsindustries.com](http://www.skyhillsindustries.com)





SKY HILLS INDUSTRIES

Precision. Quality. Excellence.



## SkyHills Industries



+91 90420 18641 , 0422 2981448



SF.NO 697/2, GD,33. SRINIVASA NAGAR,  
KURICHI VILLAGE, MADUKKARAI ROAD,  
COIMBATORE, TAMILNADU-641021.



info@skyhillsindustries.com



www.skyhillsindustries.com



www.skyhillsindustries.com



+91 90420 18641



Coimbatore