



SKYHILLS INDUSTRIES

Precision.

Quality.

Excellence.



Global Leader in Machine Tools

1 Collet

2 Guide Bush

3 Feed Finger

**High Precision Collets & Guide Bushes
For Swiss Type CNC Automatic Lathe**



www.skyhillsindustries.com

Machines - Maschines - Maccine

 **WOODWAY**
THE ULTIMATE MACHINING POWER

ANCA[®]

*André Bechler SA
Moutier*

Cincom

CITIZEN
Micro_HumanTech

DOOSAN

 **Hanwha**

 **HARDINGE**

TORNOS 

INDEX
TRAUB

 **JINN FA**
Machine

KSI

CITIZEN
Miyano

MAIER

 **EWAG**

MANURHIN KMX

Miyano
The world leader in precision

NEXTURN
SWISS TURN LEADER

Machines - Maschines - Macchine

NOMURA

Petermann

POLYGIM

ROLLOMATIC

stair

Strohm

Swistek
HYBRID Type-Swiss CNC Lathes

TSUGAMI

TORNOS



SKYHILLS INDUSTRIES



High Precision Collets & Guide Bushes For Swiss Type CNC Automatic Lathe

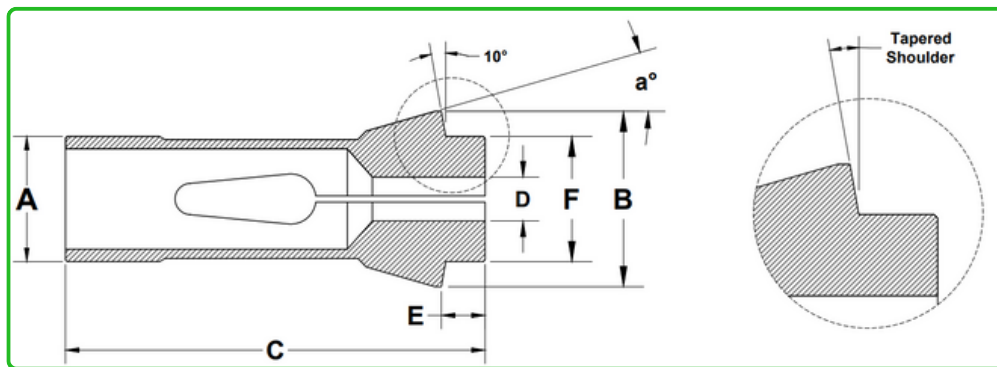


COLLET

Elevate Your Machining Game With Our High-Precision Collets And Guide Bushes



"At SkyHills Industries, we specialize in crafting high-precision collets and guide bushes, setting the standard for accuracy."



All dimensions are in millimeters (mm)

COLLET



F- TYPE COLLET STRAIGHT SHOULDER

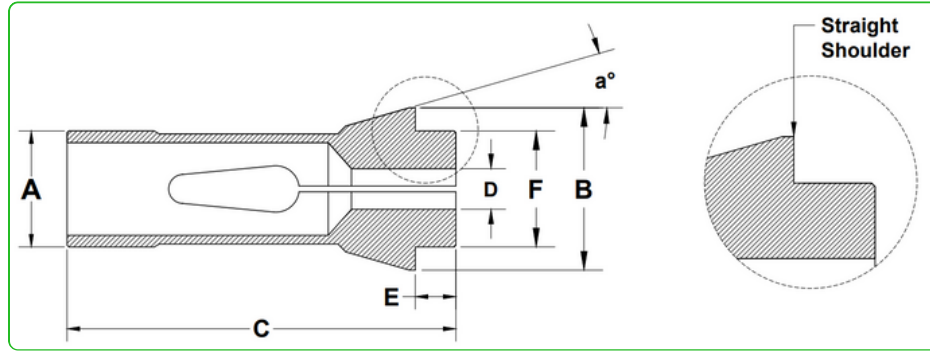


F-TYPE WITH TAPPERED SHOULDER

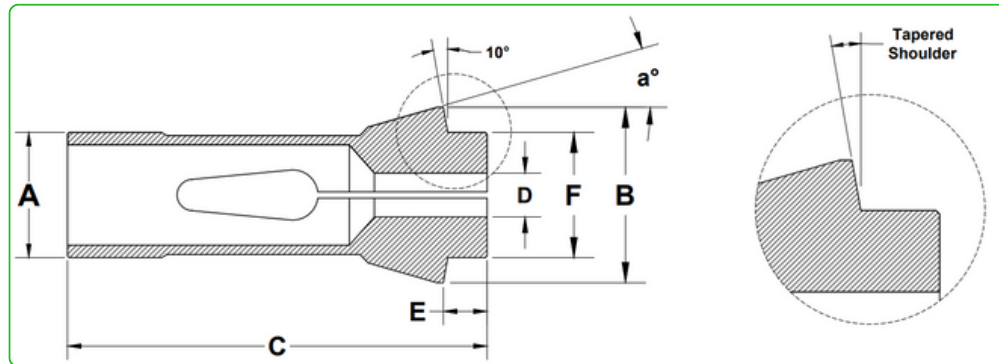


LONG NOSE COLLETS

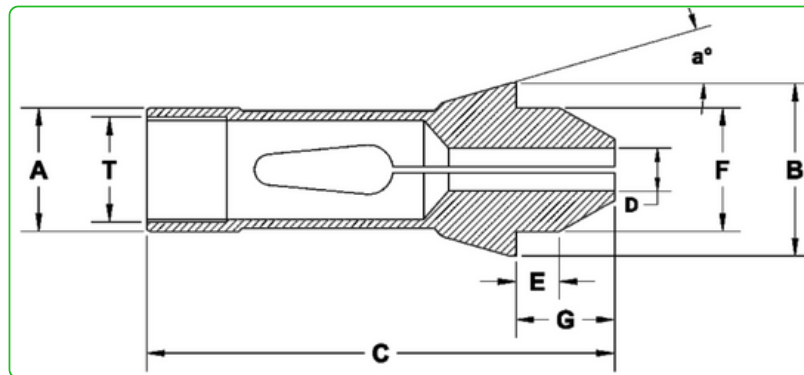
COLLET



F- TYPE COLLET STRAIGHT SHOULDER



F-TYPE WITH TAPPERED SHOULDER



LONG NOSE COLLETS

Drawing Nr. / Part Nr.	Guide dia	Major Dia	Total Length	Nose Length	Nose Dia	Angle	Capacity		
							Round	Hexagon	Square
	Ø A	Ø B	C	E	Ø F	a°	●	⬡	■
SH-SF7/66	7	10.7	26	2.9	7	15°	4.5	3	-
SH-SF8/577	8	12	42	4.5	8	16°	5.5	4	3
SH-SF10/86	10	15.5	47.5	5.5	10	20°	7	5	4
SH-SF10/1178	10	16	46	4	10	20°	7	5	4
SH-SF12/78	12	18.1	44.5	4.3	12	15°	8	6	5
SH-SF12/578	12	18	64	6	12	16°	8	6	5
SH-SF13/357	13	19	64	6	13	16°	10	8	7
SH-SF14/98	14	18	46	4	14	13°	10	8	7
SH-SF15/358	15	22	47	5	15	20°	10.5	9	7
SH-SF15/580	15	21	64	6	15	16°	11	9	8
SH-SF16/104	16	22	55	5	16	15°	12	10	8
SH-SF16/1076	16	21	64	6	16	16°	12	10	8
SH-SF20/87	20	28	67	7	21	16°	16	13	11
SH-SF20/102	20	27.5	60	5	20	15°	16	13	11

All Dimensions are in mm | Unless Otherwise Specified

COLLET

*table to be continued

SH-SF20/201	20	26	54	5	19	15°	16	13	11
SH-SF20/9026	20	26	67	3	19	16°	16	13	11
SH-SF22/727	22	32	66	7	25	16°	17	15	12
SH-SF23.8/9020	23.8	28	62	7	22	15°	18	15	12
SH-SF25/64	25	35	77	10	27	16°	20	17	14
SH-SF25/91	25	34	65	6	25	15°	20	17	14
SH-SF26/90	26	32	67	7	27.5	13°	20.5	17	14
SH-SF26/9021	26	36	67	7	28	15°	20.5	17	14
SH-SF27/22	27	38	72.7	8	30	15°	23	19	16
SH-SF28/93	28	38	70	7	28	15°	23	19	16
SH-SF28/9004	28	35	77	10	27.5	16°	22.5	19	16
SH-SF30/63	30	42	80	10	34	16°	25	21	17
SH-SF30/101	30	38	65	6	32	15°	26	22	18
SH-SF30/9044	30	42	80	12	32	16°	25	22	18
SH-SF33/9043	33	40	80	12	32	16°	28	24	20
SH-SF37/740	37	47	92	10	40	16°	32	27	22
SH-SF40/9074	40	50	92	10	43	16°	35	30	24
SH-SF44/9082	44	52	92	10	44	16°30'	38	32	27
SH-SF44.4/9061	44	54.5	64	8.5	42	15°	37	31	26

All Dimensions are in mm | Unless Otherwise Specified

Drawing Nr. / Part Nr.	Guide dia	Major Dia	Total Length	Nose Length	Nose Dia	Angle	Capacity		
							Round	Hexagon	Square
	Ø A	Ø B	C	E	Ø F	a°	●	⬡	■
SH-SF22/71	22	30	55	6	21	15°	16.5	14	11
SH-SF32/221	32	45	75	8	34	15°	26	22	18
SH-SF35/94	35	48	80	8	38	15°	30	25	21
SH-SF38/72	38.08	49	107.5	9	38	15°	32	27	22
SH-SF42/99	42	55	94	9	42	15°	36	30	25
SH-SF43/37	43	53	92	10	46	16°	38	33	27
SH-SF43/9078	43	53	92	10	42	15°	35	30	25
SH-SF48/38	48	54	100	10	44	15°	39	34	28
SH-SF48//81	48	60	94	9	50	15°	42	36	29
SH-SF48/9079	48	54	100	10	44	15°	41	35	29
SH-SF58/9046	58	70	94	9	60	15°	51	44	36
SH-SF66/359	66	84	110	9	73	15°	59	48	39

All Dimensions are in mm | Unless Otherwise Specified

Drawing Nr. / Part Nr.	Guide dia	Major Dia	Total Length	Nose Length	Nose Dia	Angle	Capacity		
							Round	Hexagon	Square
	Ø A	Ø B	C	E	Ø F	a°	●	⬡	■
SH-LNSF8/577-8	8.00	12.00	45.50	8.00	8.00	16°	5.5	4	3
SH-LNSF8/577-10	8.00	12.00	47.50	10.00	8.00	16°	5.5	4	3
SH-LNSF8/577-12	8.00	12.00	49.50	12.00	8.00	16°	5.5	4	3
SH-LNSF10/86-8	10.00	15.50	50.00	8.00	10.00	20°	7	5	4
SH-LNSF10/86-10	10.00	15.50	52.00	10.00	10.00	20°	7	5	4
SH-LNSF10/86-12	10.00	15.50	54.00	12.00	10.00	20°	7	5	4
SH-LNSF10/86-16	10.00	15.50	58.00	16.00	10.00	20°	7	5	4
SH-LNSF12/78-10	12.00	18.10	50.20	10.00	12.00	15°	8	6	5
SH-LNSF13/357-10	13.00	19.00	68.00	10.00	13.00	16°	10	8	7
SH-LNSF13/357-12	13.00	19.00	70.00	12.00	13.00	16°	10	8	7
SH-LNSF15/580-13	15.00	21.00	71.00	13.00	15.00	16°	11	9	8
SH-LNSF15/580-15	15.00	21.00	73.00	15.00	15.00	16°	11	9	8
SH-LNSF15/580-20	15.00	21.00	78.00	20.00	15.00	16°	11	9	8
SH-LNSF16/104-20	16.00	22.00	70.00	20.00	16.00	15°	12	10	8

All Dimensions are in mm | Unless Otherwise Specified

*table to be continued

SH-LNSF16/1076-13	16.00	21.00	71.00	13.00	16.00	16°	12	10	8
SH-LNSF16/1076-15	16.00	21.00	73.00	15.00	16.00	16°	12	10	8
SH-LNSF16/1076-20	16.00	21.00	78.00	20.00	16.00	16°	12	10	8
SH-LNSF20/87-15	20.00	28.00	75.00	15.00	21.00	16°	16	13	11
SH-LNSF20/87-20	20.00	28.00	80.00	20.00	21.00	16°	16	13	11
SH-LNSF20/201-13	20.00	26.00	62.00	13.00	19.00	15°	16	13	11
SH-LNSF20/201-15	20.00	26.00	64.00	15.00	19.00	15°	16	13	11
SH-LNSF20/201-20	20.00	26.00	69.00	20.00	19.00	15°	16	13	11
SH-LNSF20/9026-15	20.00	26.00	79.00	15.00	19.00	16°	16	13	11
SH-LNSF20/9026-20	20.00	26.00	84.00	20.00	19.00	16°	16	13	11
SH-LNSF22/71-15	22.00	30.00	64.00	15.00	21.00	15°	16.5	14	11
SH-LNSF22/71-20	22.00	30.00	69.00	20.00	21.00	15°	16.5	14	11
SH-LNSF22/727-15	22.00	32.00	74.00	15.00	25.00	16°	17	15	12
SH-LNSF22/727-20	22.00	32.00	79.00	20.00	25.00	16°	17	15	12
SH-LNSF23.8/9020-15	23.80	28.00	70.00	15.00	22.00	15°	18	15	12
SH-LNSF23.8/9020-20	23.80	28.00	75.00	20.00	22.00	15°	18	15	12
SH-LNSF25/64-15	25.00	35.00	82.00	15.00	27.00	16°	20	17	14
SH-LNSF25/64-18	25.00	35.00	85.00	18.00	27.00	16°	20	17	14
SH-LNSF25/64-20	25.00	35.00	87.00	20.00	27.00	16°	20	17	14
SH-LNSF25/64-25	25.00	35.00	92.00	25.00	27.00	16°	20	17	14
SH-LNSF26/9021-15	26.00	36.00	75.00	15.00	28.00	15°	20.5	17	14
SH-LNSF26/9021-20	26.00	36.00	80.00	20.00	28.00	15°	20.5	17	14
SH-LNSF26/9021-25	26.00	36.00	85.00	25.00	28.00	15°	20.5	17	14

All Dimensions are in mm | Unless Otherwise Specified

*table to be continued

SH-LNSF27/22-15	27.00	38.00	79.70	15.00	30.00	15°	23	19	16
SH-LNSF27/22-20	27.00	38.00	84.70	20.00	30.00	15°	23	19	16
SH-LNSF27/22-25	27.00	38.00	89.70	25.00	30.00	15°	23	19	16
SH-LNSF28/93-20	28.00	38.00	83.00	20.00	28.00	15°	23	19	16
SH-LNSF28/93-25	28.00	38.00	88.00	25.00	28.00	15°	23	19	16
SH-LNSF28/9004-20	28.00	35.00	87.00	20.00	27.50	16°	22.5	19	16
SH-LNSF28/9004-25	28.00	35.00	92.00	25.00	27.50	16°	22.5	19	16
SH-LNSF30/63-20	30.00	42.00	90.00	20.00	34.00	16°	25	21	17
SH-LNSF30/63-25	30.00	42.00	95.00	25.00	34.00	16°	25	21	17
SH-LNSF30/101-20	30.00	38.00	79.00	20.00	32.00	15°	26	22	18
SH-LNSF30/101-25	30.00	38.00	84.00	25.00	32.00	15°	26	22	18
SH-LNSF30/9044-20	30.00	42.00	88.00	20.00	32.00	16°	25	22	18
SH-LNSF30/9044-25	30.00	42.00	93.00	25.00	32.00	16°	25	22	18
SH-LNSF32/221-15	32.00	45.00	82.00	15.00	34.00	15°	26	22	18
SH-LNSF32/221-20	32.00	45.00	87.00	20.00	34.00	15°	26	22	18
SH-LNSF32/221-25	32.00	45.00	92.00	25.00	34.00	15°	26	22	18
SH-LNSF33/9043-20	33.00	40.00	88.00	20.00	32.00	16°	28	24	20
SH-LNSF33/9043-25	33.00	40.00	93.00	25.00	32.00	16°	28	24	20
SH-LNSF35/94-20	35.00	48.00	92.00	20.00	38.00	15°	30	25	21
SH-LNSF35/94-25	35.00	48.00	97.00	25.00	38.00	15°	30	25	21

All Dimensions are in mm | Unless Otherwise Specified

*table to be continued

SH-LNSF35/94-27	35.00	48.00	99.00	27.00	38.00	15°	30	25	21
SH-LNSF37/740-20	37.00	47.00	102.00	20.00	40.00	16°	32	27	22
SH-LNSF37/740-25	37.00	47.00	107.00	25.00	40.00	16°	32	27	22
SH-LNSF37/740-30	37.00	47.00	112.00	30.00	40.00	16°	32	27	22
SH-LNSF38/72-20	38.08	49.00	118.50	20.00	38.00	15°	32	27	22
SH-LNSF38/72-25	38.08	49.00	123.50	25.00	38.00	15°	32	27	22
SH-LNSF40/9074-20	40.00	50.00	102.00	20.00	43.00	16°	35	30	24
SH-LNSF40/9074-25	40.00	50.00	107.00	25.00	43.00	16°	35	30	24
SH-LNSF42/99-20	42.00	55.00	105.00	20.00	42.00	15°	36	30	25
SH-LNSF42/99-25	42.00	55.00	110.00	25.00	42.00	15°	36	30	25
SH-LNSF43/37-20	43.00	53.00	102.00	20.00	46.00	16°	38	33	27
SH-LNSF43/37-25	43.00	53.00	107.00	25.00	46.00	16°	38	33	27
SH-LNSF48/38-20	48.00	54.00	110.00	20.00	44.00	15°	39	34	28
SH-LNSF48/38-25	48.00	54.00	115.00	25.00	44.00	15°	39	34	28
SH-LNSF48//81-20	48.00	60.00	105.00	20.00	50.00	15°	42	36	29
SH-LNSF48//81-25	48.00	60.00	110.00	25.00	50.00	15°	42	36	29
SH-LNSF48//81-30	48.00	60.00	115.00	30.00	50.00	15°	42	36	29
SH-LNSF48/9079-20	48.00	54.00	110.00	20.00	44.00	15°	41	35	29
SH-LNSF48/9079-25	48.00	54.00	115.00	25.00	44.00	15°	41	35	29

All Dimensions are in mm | Unless Otherwise Specified

Factory



SKY HILLS INDUSTRIES

Precision Quality Excellence



Precision Perfected Here



SkyHills Industries

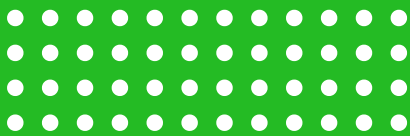
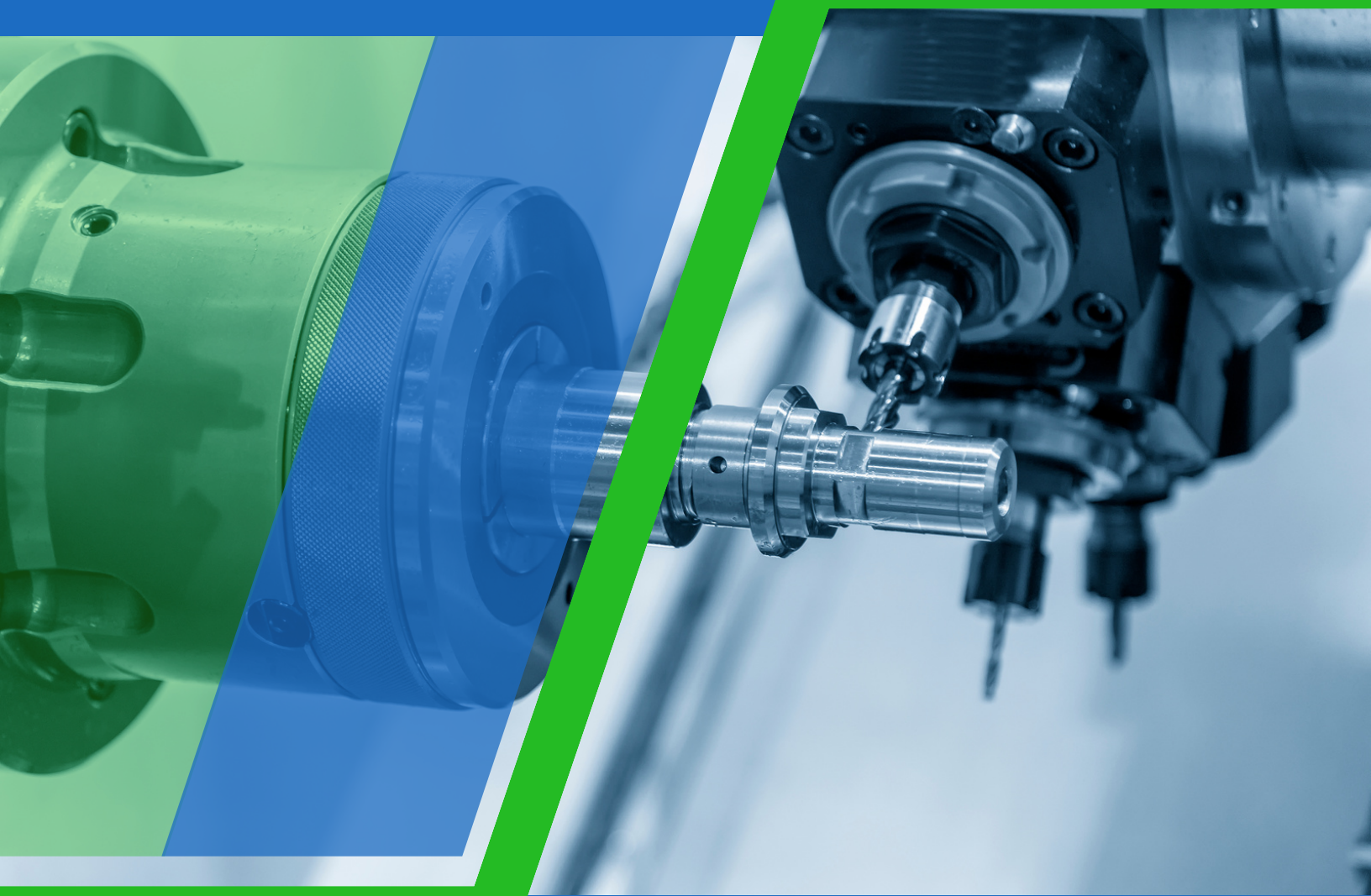
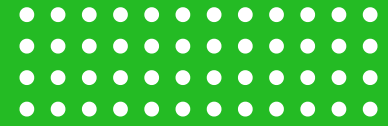
www.skyhillsindustries.com





SKY HILLS INDUSTRIES

Precision. Quality. Excellence.



SkyHills Industries



+91 90420 18641 , 0422 2981448



SF.NO 697/2, GD,33. SRINIVASA NAGAR,
KURICHI VILLAGE, MADUKKARAI ROAD,
COIMBATORE, TAMILNADU-641021.



info@skyhillsindustries.com



www.skyhillsindustries.com



www.skyhillsindustries.com



+91 90420 18641



Coimbatore