



SKYHILLS INDUSTRIES

Precision.

Quality.

Excellence.



Global Leader in Machine Tools

1 Collet

2 Guide Bush

3 Feed Finger

**High Precision Collets & Guide Bushes
For Swiss Type CNC Automatic Lathe**



www.skyhillsindustries.com

Machines - Maschines - Maccine

 **WOODWAY**
THE ULTIMATE MACHINING POWER

ANCA[®]

*André Bechler SA
Moutier*

Cincom

CITIZEN
Micro_HumanTech

DOOSAN

 **Hanwha**

 **HARDINGE**

TORNOS 

INDEX
TRAUB

 **JINN FA**
Machine[®] CMC

KSI

CITIZEN
Miyano

MAIER

 **EWAG**

MANURHIN KMX[®]

Miyano
The world leader in precision

NEXTURN
SWISS TURN LEADER

Machines - Maschines - Macchine

NOMURA

Petermann

POLYGIM

ROLLOMATIC

stair

Strohm

Swistek
HYBRID Type-Swiss CNC Lathes

TSUGAMI

TORNOS



SKYHILLS INDUSTRIES



High Precision Collets & Guide Bushes For Swiss Type CNC Automatic Lathe

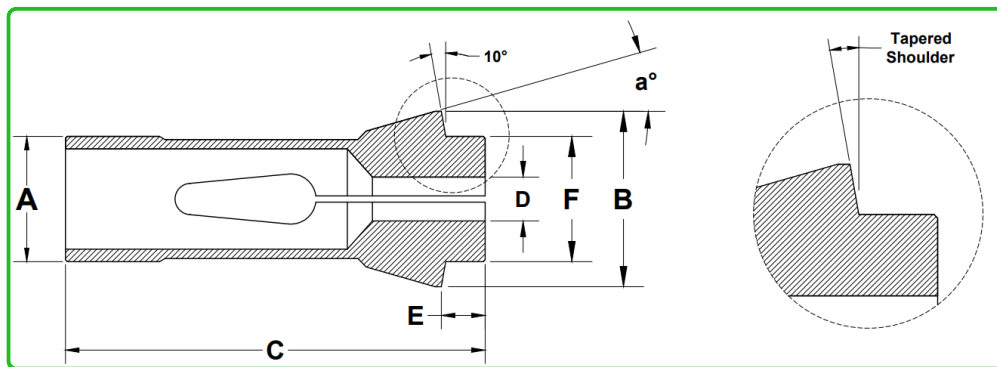


COLLET

Elevate Your Machining Game With Our High-Precision Collets And Guide Bushes



"At SkyHills Industries, we specialize in crafting high-precision collets and guide bushes, setting the standard for accuracy."



All dimensions are in millimeters (mm)

COLLET



F- TYPE COLLET STRAIGHT SHOULDER

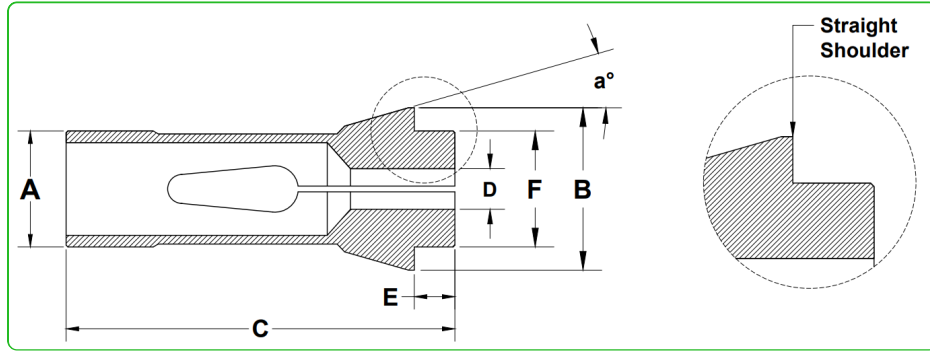


F-TYPE WITH TAPPERED SHOULDER

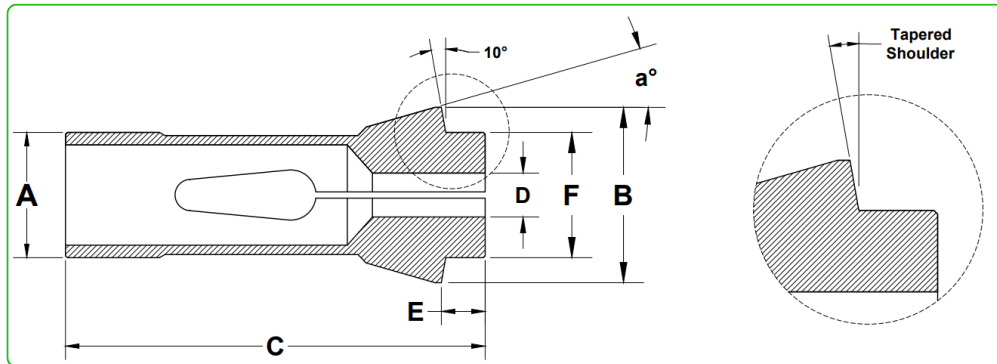


LONG NOSE COLLETS

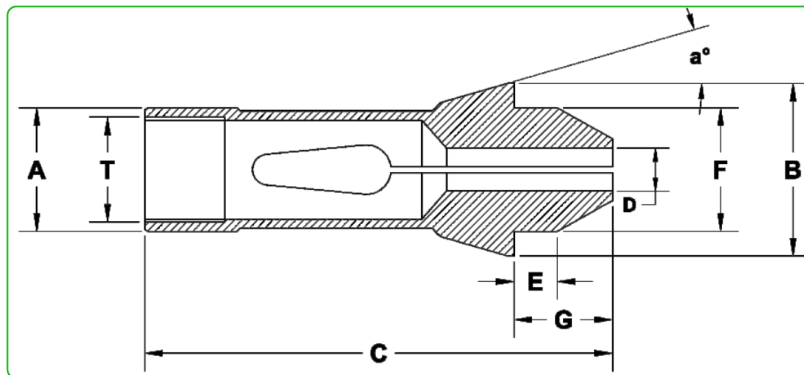
COLLET



F- TYPE COLLET STRAIGHT SHOULDER



F-TYPE WITH TAPPERED SHOULDER



LONG NOSE COLLETS

Drawing Nr. / Part Nr.	Guide dia	Major Dia	Total Length	Nose Length	Nose Dia	Angle	Capacity		
							Round	Hexagon	Square
	Ø A	Ø B	C	E	Ø F	a°	●	⬠	■
SH-SF7/66	7	10.7	26	2.9	7	15°	4.5	3	-
SH-SF8/577	8	12	42	4.5	8	16°	5.5	4	3
SH-SF10/86	10	15.5	47.5	5.5	10	20°	7	5	4
SH-SF10/1178	10	16	46	4	10	20°	7	5	4
SH-SF12/78	12	18.1	44.5	4.3	12	15°	8	6	5
SH-SF12/578	12	18	64	6	12	16°	8	6	5
SH-SF13/357	13	19	64	6	13	16°	10	8	7
SH-SF14/98	14	18	46	4	14	13°	10	8	7
SH-SF15/358	15	22	47	5	15	20°	10.5	9	7
SH-SF15/580	15	21	64	6	15	16°	11	9	8
SH-SF16/104	16	22	55	5	16	15°	12	10	8
SH-SF16/1076	16	21	64	6	16	16°	12	10	8
SH-SF20/87	20	28	67	7	21	16°	16	13	11
SH-SF20/102	20	27.5	60	5	20	15°	16	13	11

All Dimensions are in mm | Unless Otherwise Specified

COLLET

*table to be continued

SH-SF20/201	20	26	54	5	19	15°	16	13	11
SH-SF20/9026	20	26	67	3	19	16°	16	13	11
SH-SF22/727	22	32	66	7	25	16°	17	15	12
SH-SF23.8/9020	23.8	28	62	7	22	15°	18	15	12
SH-SF25/64	25	35	77	10	27	16°	20	17	14
SH-SF25/91	25	34	65	6	25	15°	20	17	14
SH-SF26/90	26	32	67	7	27.5	13°	20.5	17	14
SH-SF26/9021	26	36	67	7	28	15°	20.5	17	14
SH-SF27/22	27	38	72.7	8	30	15°	23	19	16
SH-SF28/93	28	38	70	7	28	15°	23	19	16
SH-SF28/9004	28	35	77	10	27.5	16°	22.5	19	16
SH-SF30/63	30	42	80	10	34	16°	25	21	17
SH-SF30/101	30	38	65	6	32	15°	26	22	18
SH-SF30/9044	30	42	80	12	32	16°	25	22	18
SH-SF33/9043	33	40	80	12	32	16°	28	24	20
SH-SF37/740	37	47	92	10	40	16°	32	27	22
SH-SF40/9074	40	50	92	10	43	16°	35	30	24
SH-SF44/9082	44	52	92	10	44	16°30'	38	32	27
SH-SF44.4/9061	44	54.5	64	8.5	42	15°	37	31	26

All Dimensions are in mm | Unless Otherwise Specified

Drawing Nr. / Part Nr.	Guide dia	Major Dia	Total Length	Nose Length	Nose Dia	Angle	Capacity		
							Round	Hexagon	Square
	Ø A	Ø B	C	E	Ø F	a°	●	⬡	■
SH-SF22/71	22	30	55	6	21	15°	16.5	14	11
SH-SF32/221	32	45	75	8	34	15°	26	22	18
SH-SF35/94	35	48	80	8	38	15°	30	25	21
SH-SF38/72	38.08	49	107.5	9	38	15°	32	27	22
SH-SF42/99	42	55	94	9	42	15°	36	30	25
SH-SF43/37	43	53	92	10	46	16°	38	33	27
SH-SF43/9078	43	53	92	10	42	15°	35	30	25
SH-SF48/38	48	54	100	10	44	15°	39	34	28
SH-SF48//81	48	60	94	9	50	15°	42	36	29
SH-SF48/9079	48	54	100	10	44	15°	41	35	29
SH-SF58/9046	58	70	94	9	60	15°	51	44	36
SH-SF66/359	66	84	110	9	73	15°	59	48	39

All Dimensions are in mm | Unless Otherwise Specified

Drawing Nr. / Part Nr.	Guide dia	Major Dia	Total Length	Nose Length	Nose Dia	Angle	Capacity		
							Round	Hexagon	Square
	Ø A	Ø B	C	E	Ø F	a°	●	⬡	■
SH-LNSF8/577-8	8.00	12.00	45.50	8.00	8.00	16°	5.5	4	3
SH-LNSF8/577-10	8.00	12.00	47.50	10.00	8.00	16°	5.5	4	3
SH-LNSF8/577-12	8.00	12.00	49.50	12.00	8.00	16°	5.5	4	3
SH-LNSF10/86-8	10.00	15.50	50.00	8.00	10.00	20°	7	5	4
SH-LNSF10/86-10	10.00	15.50	52.00	10.00	10.00	20°	7	5	4
SH-LNSF10/86-12	10.00	15.50	54.00	12.00	10.00	20°	7	5	4
SH-LNSF10/86-16	10.00	15.50	58.00	16.00	10.00	20°	7	5	4
SH-LNSF12/78-10	12.00	18.10	50.20	10.00	12.00	15°	8	6	5
SH-LNSF13/357-10	13.00	19.00	68.00	10.00	13.00	16°	10	8	7
SH-LNSF13/357-12	13.00	19.00	70.00	12.00	13.00	16°	10	8	7
SH-LNSF15/580-13	15.00	21.00	71.00	13.00	15.00	16°	11	9	8
SH-LNSF15/580-15	15.00	21.00	73.00	15.00	15.00	16°	11	9	8
SH-LNSF15/580-20	15.00	21.00	78.00	20.00	15.00	16°	11	9	8
SH-LNSF16/104-20	16.00	22.00	70.00	20.00	16.00	15°	12	10	8

All Dimensions are in mm | Unless Otherwise Specified

*table to be continued

SH-LNSF16/1076-13	16.00	21.00	71.00	13.00	16.00	16°	12	10	8
SH-LNSF16/1076-15	16.00	21.00	73.00	15.00	16.00	16°	12	10	8
SH-LNSF16/1076-20	16.00	21.00	78.00	20.00	16.00	16°	12	10	8
SH-LNSF20/87-15	20.00	28.00	75.00	15.00	21.00	16°	16	13	11
SH-LNSF20/87-20	20.00	28.00	80.00	20.00	21.00	16°	16	13	11
SH-LNSF20/201-13	20.00	26.00	62.00	13.00	19.00	15°	16	13	11
SH-LNSF20/201-15	20.00	26.00	64.00	15.00	19.00	15°	16	13	11
SH-LNSF20/201-20	20.00	26.00	69.00	20.00	19.00	15°	16	13	11
SH-LNSF20/9026-15	20.00	26.00	79.00	15.00	19.00	16°	16	13	11
SH-LNSF20/9026-20	20.00	26.00	84.00	20.00	19.00	16°	16	13	11
SH-LNSF22/71-15	22.00	30.00	64.00	15.00	21.00	15°	16.5	14	11
SH-LNSF22/71-20	22.00	30.00	69.00	20.00	21.00	15°	16.5	14	11
SH-LNSF22/727-15	22.00	32.00	74.00	15.00	25.00	16°	17	15	12
SH-LNSF22/727-20	22.00	32.00	79.00	20.00	25.00	16°	17	15	12
SH-LNSF23.8/9020-15	23.80	28.00	70.00	15.00	22.00	15°	18	15	12
SH-LNSF23.8/9020-20	23.80	28.00	75.00	20.00	22.00	15°	18	15	12
SH-LNSF25/64-15	25.00	35.00	82.00	15.00	27.00	16°	20	17	14
SH-LNSF25/64-18	25.00	35.00	85.00	18.00	27.00	16°	20	17	14
SH-LNSF25/64-20	25.00	35.00	87.00	20.00	27.00	16°	20	17	14
SH-LNSF25/64-25	25.00	35.00	92.00	25.00	27.00	16°	20	17	14
SH-LNSF26/9021-15	26.00	36.00	75.00	15.00	28.00	15°	20.5	17	14
SH-LNSF26/9021-20	26.00	36.00	80.00	20.00	28.00	15°	20.5	17	14
SH-LNSF26/9021-25	26.00	36.00	85.00	25.00	28.00	15°	20.5	17	14

All Dimensions are in mm | Unless Otherwise Specified

*table to be continued

SH-LNSF27/22-15	27.00	38.00	79.70	15.00	30.00	15°	23	19	16
SH-LNSF27/22-20	27.00	38.00	84.70	20.00	30.00	15°	23	19	16
SH-LNSF27/22-25	27.00	38.00	89.70	25.00	30.00	15°	23	19	16
SH-LNSF28/93-20	28.00	38.00	83.00	20.00	28.00	15°	23	19	16
SH-LNSF28/93-25	28.00	38.00	88.00	25.00	28.00	15°	23	19	16
SH-LNSF28/9004-20	28.00	35.00	87.00	20.00	27.50	16°	22.5	19	16
SH-LNSF28/9004-25	28.00	35.00	92.00	25.00	27.50	16°	22.5	19	16
SH-LNSF30/63-20	30.00	42.00	90.00	20.00	34.00	16°	25	21	17
SH-LNSF30/63-25	30.00	42.00	95.00	25.00	34.00	16°	25	21	17
SH-LNSF30/101-20	30.00	38.00	79.00	20.00	32.00	15°	26	22	18
SH-LNSF30/101-25	30.00	38.00	84.00	25.00	32.00	15°	26	22	18
SH-LNSF30/9044-20	30.00	42.00	88.00	20.00	32.00	16°	25	22	18
SH-LNSF30/9044-25	30.00	42.00	93.00	25.00	32.00	16°	25	22	18
SH-LNSF32/221-15	32.00	45.00	82.00	15.00	34.00	15°	26	22	18
SH-LNSF32/221-20	32.00	45.00	87.00	20.00	34.00	15°	26	22	18
SH-LNSF32/221-25	32.00	45.00	92.00	25.00	34.00	15°	26	22	18
SH-LNSF33/9043-20	33.00	40.00	88.00	20.00	32.00	16°	28	24	20
SH-LNSF33/9043-25	33.00	40.00	93.00	25.00	32.00	16°	28	24	20
SH-LNSF35/94-20	35.00	48.00	92.00	20.00	38.00	15°	30	25	21
SH-LNSF35/94-25	35.00	48.00	97.00	25.00	38.00	15°	30	25	21

All Dimensions are in mm | Unless Otherwise Specified

*table to be continued

SH-LNSF35/94-27	35.00	48.00	99.00	27.00	38.00	15°	30	25	21
SH-LNSF37/740-20	37.00	47.00	102.00	20.00	40.00	16°	32	27	22
SH-LNSF37/740-25	37.00	47.00	107.00	25.00	40.00	16°	32	27	22
SH-LNSF37/740-30	37.00	47.00	112.00	30.00	40.00	16°	32	27	22
SH-LNSF38/72-20	38.08	49.00	118.50	20.00	38.00	15°	32	27	22
SH-LNSF38/72-25	38.08	49.00	123.50	25.00	38.00	15°	32	27	22
SH-LNSF40/9074-20	40.00	50.00	102.00	20.00	43.00	16°	35	30	24
SH-LNSF40/9074-25	40.00	50.00	107.00	25.00	43.00	16°	35	30	24
SH-LNSF42/99-20	42.00	55.00	105.00	20.00	42.00	15°	36	30	25
SH-LNSF42/99-25	42.00	55.00	110.00	25.00	42.00	15°	36	30	25
SH-LNSF43/37-20	43.00	53.00	102.00	20.00	46.00	16°	38	33	27
SH-LNSF43/37-25	43.00	53.00	107.00	25.00	46.00	16°	38	33	27
SH-LNSF48/38-20	48.00	54.00	110.00	20.00	44.00	15°	39	34	28
SH-LNSF48/38-25	48.00	54.00	115.00	25.00	44.00	15°	39	34	28
SH-LNSF48//81-20	48.00	60.00	105.00	20.00	50.00	15°	42	36	29
SH-LNSF48//81-25	48.00	60.00	110.00	25.00	50.00	15°	42	36	29
SH-LNSF48//81-30	48.00	60.00	115.00	30.00	50.00	15°	42	36	29
SH-LNSF48/9079-20	48.00	54.00	110.00	20.00	44.00	15°	41	35	29
SH-LNSF48/9079-25	48.00	54.00	115.00	25.00	44.00	15°	41	35	29

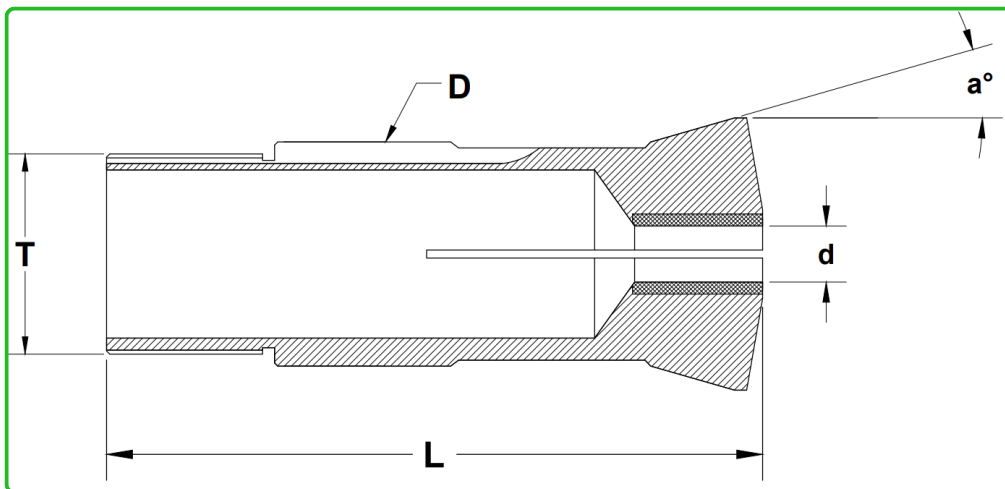
All Dimensions are in mm | Unless Otherwise Specified

GUIDE BUSH

Elevate Your Machining Game With Our High-Precision Collets And Guide Bushes

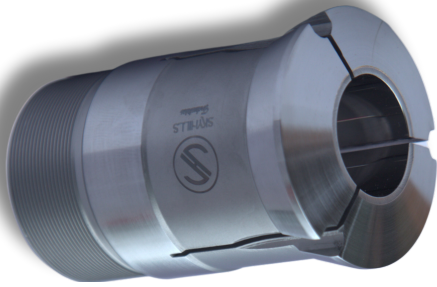


"Precision is not just a goal; it's our identity. Discover the difference with SkyHills Industries."

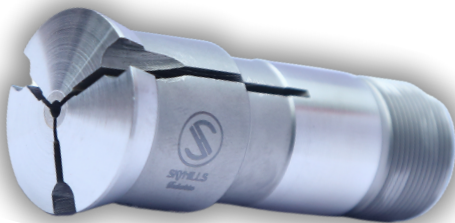


All dimensions are in millimeters (mm)

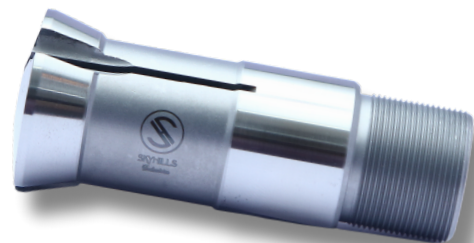
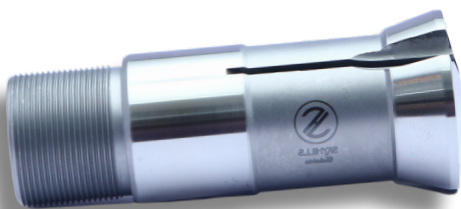
GUIDE BUSH



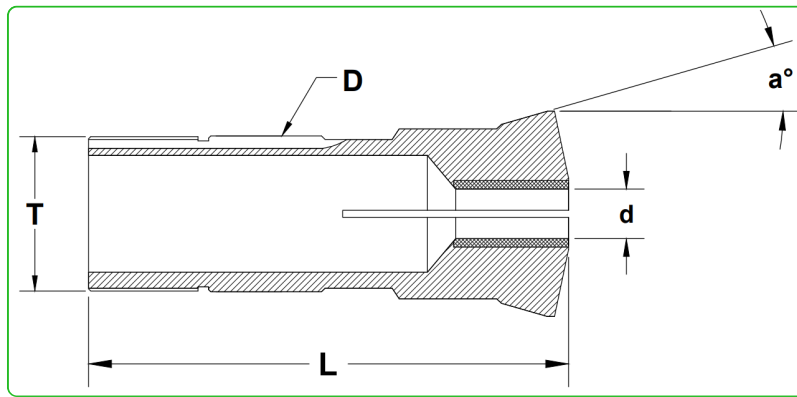
CARBIDE LINED GUIDE BUSH WITH REINFORCED SHANK TYPE



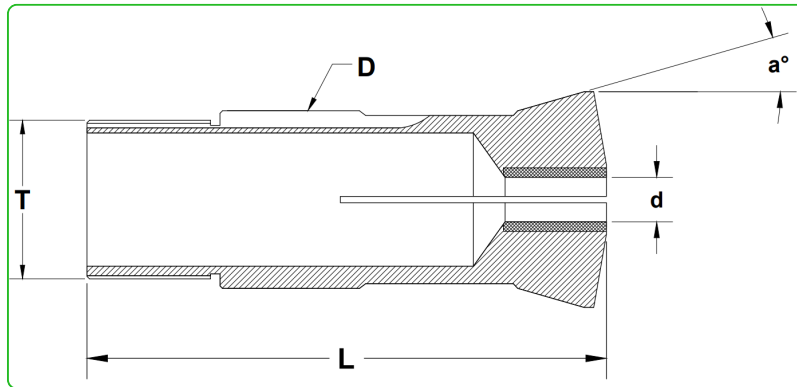
CARBIDE LINED GUIDE BUSH-DRAWN TYPE






GUIDE BUSH






GUIDE BUSH - WITH REINFORCED SHANK TYPE



GUIDE BUSH DRAWN TYPE

Drawing Nr. / Part Nr.	Guide dia	Total Length	Thread	Angle	Capacity		
					Round	Hexagon	Square
	Ø D	L	T	a°			
SH-R22/05	22	68	M22x1	16°	16	13	11
SH-R34/06	34	150	M32x1.50	20°	27	22	19

All Dimensions are in mm | Unless Otherwise Specified

Drawing Nr. / Part Nr.	Guide dia	Total Length	Thread	Angle	Capacity		
					Round	Hexagon	Square
	Ø A	Ø B	T	a°			
SH-R7/02	7	30	M6x0.5	16°	3.5	-	-
SH-R9/01	9	44	M8X0.5	16°	5	4	3
SH-R9/03	9	38.5	M8x0.75	16°	5	4	3
SH-R9/06	9	51	M8x0.8	30°	5	4	3
SH-R9/09	9	44	M8x0.75	16°	5	4	3
SH-R10/03	10	58	M10x0.75	12°	5.5	4	3
SH-R11/02	11	53	M10x0.75	16°	7	5	4
SH-R11/04	11	53	M10x0.75	16°	7	5	4
SH-R11/09	11	53	M10x1	16°	7	5	4
SH-R11/10	11	57	M10x0.75	16°	7	5	4
SH-R11/11	11	52.4	M10x0.75	16°	7	5	4
SH-R11/12	11	53	M10x0.80	16°	7	5	4
SH-R12/01	12	52	M12x1	30°	7	5	4
SH-R12/02	12	50	M10x0.75	16°	7	5	4
SH-R12/05	12	50	M10x0.75	16°	7	5	4
SH-R12/07	12	50	M12x1	30°	7.5	6	5
SH-R12/08	12	50	M10x0.5	30°	7	5	4

All Dimensions are in mm | Unless Otherwise Specified

*table to be continued

SH-R12/09	12	50	M12x1	30°	7.5	6	5
SH-R13/01	13	41.5	M12x0.75	15°	8	6	5
SH-R14/02	14	64	M13x0.75	16°	8.5	7	6
SH-R14/03	14	62	M14x1	15°30'	8.5	7	6
SH-R15/02	15	54	M14x1	16°	10	8	7
SH-R15/03	15	54	M14x0.75	15°	8.5	7	6
SH-R16/01	16	50	M14x1	16°	10	8	7
SH-R16/03	16	60	M14x1	30°	10	8	7
SH-R16/06	16	55	M16x1	30°	10	8	7
SH-R16/07	16	63	M14x1	15°30'	10	8	7
SH-R16/10	16	58	M14x1	16°	10	8	7
SH-R16/12	16	59	M14x1	16°	10	8	7
SH-R16/15	16	59	M15x1	16°	11	9	8
SH-R16/16	16	58.5	M14x1	20°	10	8	7
SH-R18/01	18	59	M16x1	30°	12	10	8
SH-R18/02	18	60	M18x1	30°	13	10	9
SH-R18/03	18	60	M18x1	30°	13	10	9
SH-R20/01	20	55	M20x1	30°	14	11	9
SH-R20/06	20	55	M20x1	30°	13	11	9
SH-R20/07	20	58	M18x1	15°	13	11	9
SH-R21/03	21	57.5	M18x1	12°	14	11	9
SH-R22/01	22	68	M19x1	16°	14	11	9
SH-R22/03	22	70	M20x1	15°	15.5	13	11
SH-R22/08	22	68	M22x1	16°	16	13	11
SH-R23/01	23	72	M22x1	16°	16.5	14	11

All Dimensions are in mm | Unless Otherwise Specified

*table to be continued

SH-R24/03	24	61	M24x1	30°	16	13	11
SH-R26/02	26	77	M25x1	16°	20	17	14
SH-R27/03	27	57.5	M24x1	12°	18	15	12
SH-R28/02	28	81	M25x1	30°	20.5	17	14
SH-R28/04	28	82	M25x1	16°	20.5	17	14
SH-R28/05	28	82	M27x1	16°	22	18	15
SH-R30/01	30	70	M28x1	16°	20.5	17	14
SH-R30/02	30	85	M28x1	16°	20.5	17	14
SH-R30/04	30	59	M30x1	15°	22	19	15
SH-R30/05	30	59	M30x1	16°	22	19	15
SH-R30/06	30	68	M30x1	16°	22	19	15
SH-R30/07	30	70	M30x1	16°	22	19	15
SH-R32/02	32	71	M32x1	30°	23	19	16
SH-R32/03	32	74	M32x1	30°	24	21	17
SH-R33/01	33	70	M30x1	16°	26	22	18
SH-R34/02	34	87.5	M34x1	10°	27.5	23	19
SH-R36/02	36	89.5	M36x1	13°	25	21	18
SH-R40/03	40	72	M36x1	30°	29	25	20
SH-R40/05	40	72	M40x1	30°	30	25	21
SH-R41/01	41	54	M38x1	10°	32	27	22
SH-R41/02	41	82	M38x1	10°	32	27	22

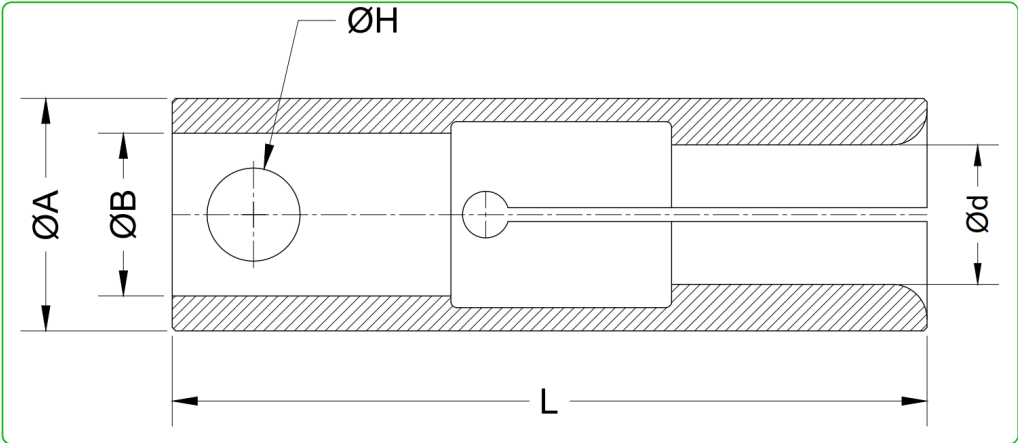
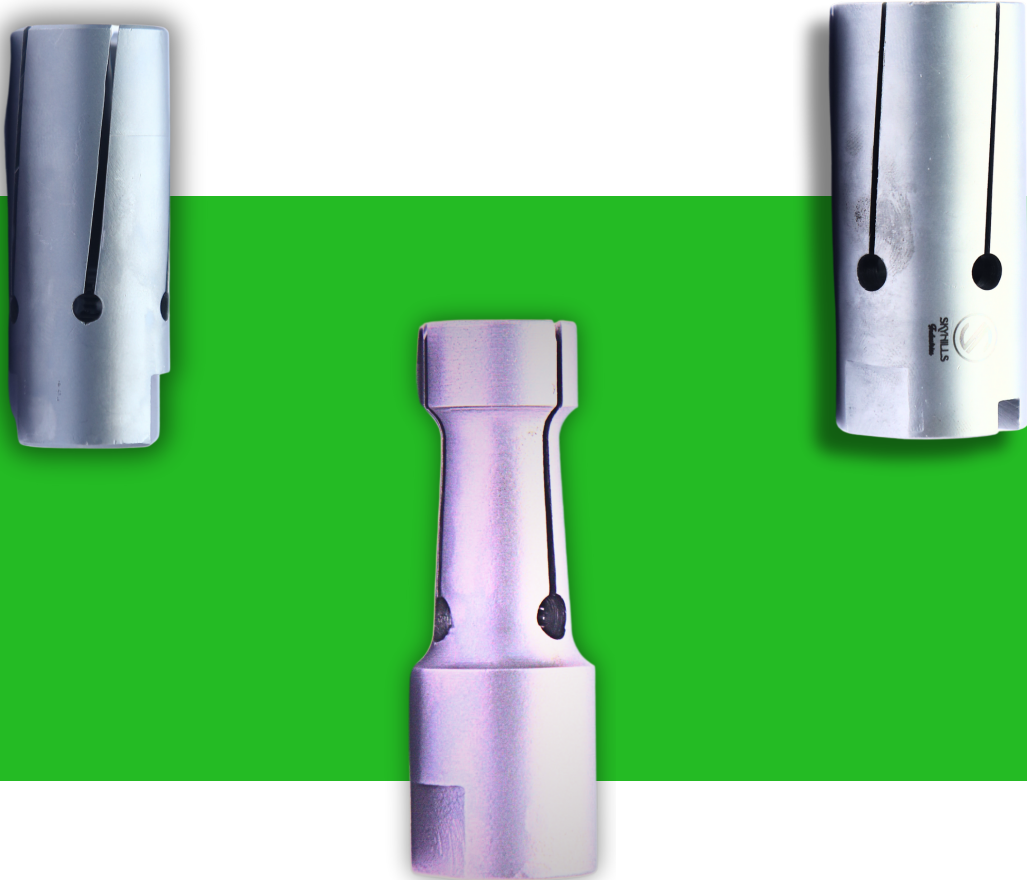
All Dimensions are in mm | Unless Otherwise Specified

*table to be continued

SH-R42/01	42	82	M40x1	16°	33	28	23
SH-R42/02	42	82	M40x1	20°30'	33	28	23
SH-R42/04	42	82	M40x1	20°	33	28	23
SH-R44/01	44	87	M40x1	20°	33	28	23
SH-R45/01	45	82	M42x1	16°	36	30	25
SH-R46/01	46	92	M45x1	16°	38	32	26
SH-R46/02	46	82	M45x1	16°	38	32	26
SH-R48/02	48	81	M48x1.25	30°	38	33	27
SH-R48/04	48	82	M46x1	16°	38	33	27
SH-R48/06	48	81	M46x1	10°	38	33	27
SH-R50/02	50	82	M49x1	19°	42	36	29
SH-R52/01	52	99	M48x1.5 LH	10°	40	34	28
SH-R52/02	52	95	M50x1	16°	43	37	30

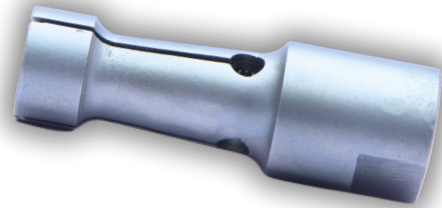
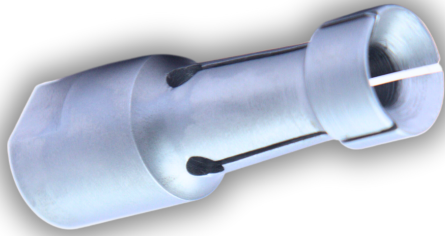
All Dimensions are in mm | Unless Otherwise Specified

Feed Finger Capacity

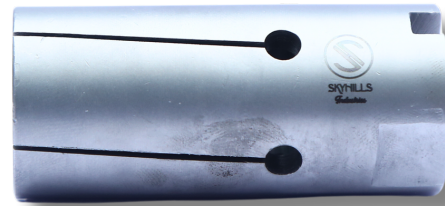
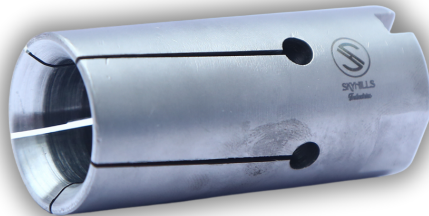


All dimensions are in millimeters (mm)

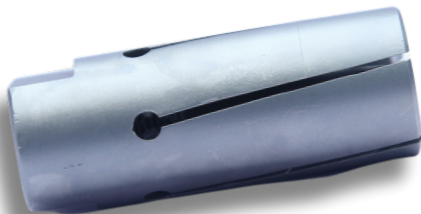
Feed Finger Capacity



BARFEEDER COLLETS WITH INTERNAL THREAD

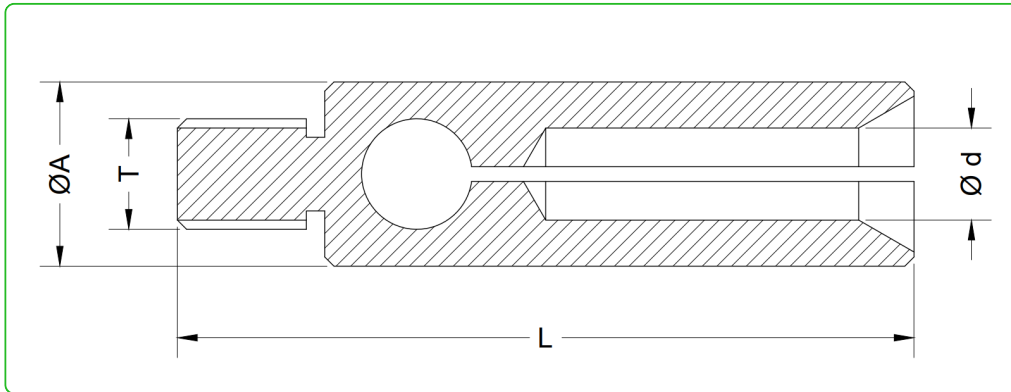


BARFEEDER COLLETS WITH INTERNAL THREAD

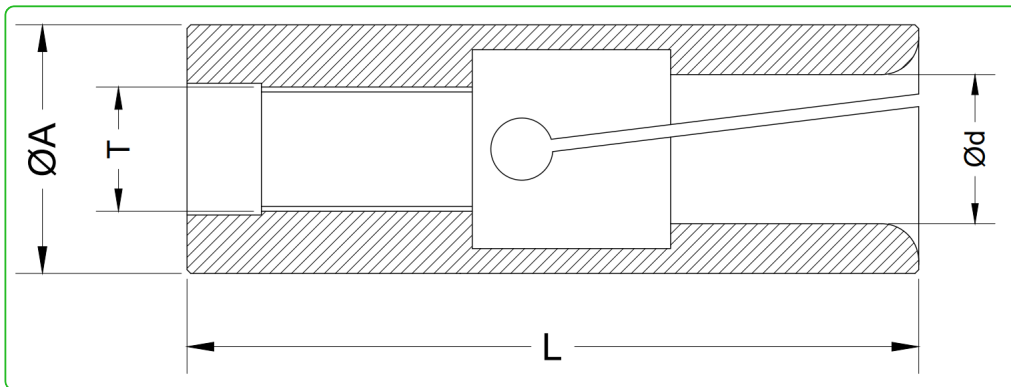


BARFEEDER COLLETS WITH PIN TYPE

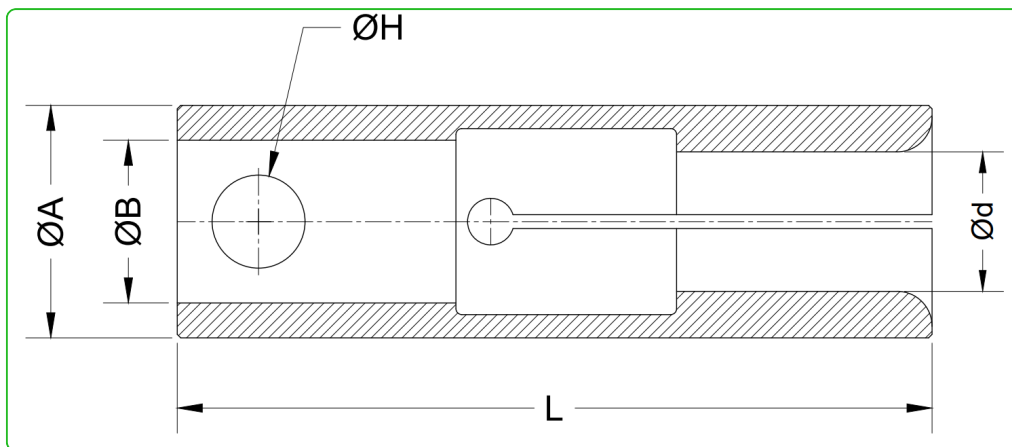
Feed Finger Capacity



BARFEEDER COLLETS WITH INTERNAL THREAD

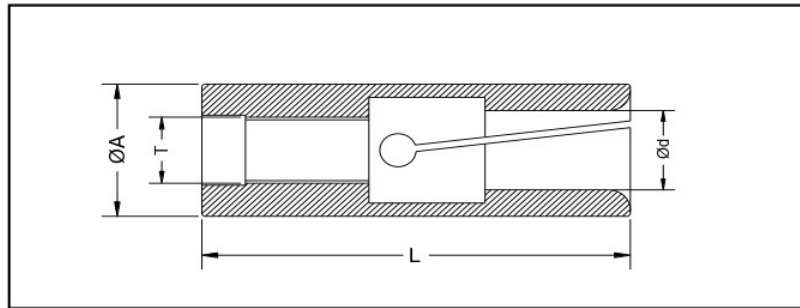


BARFEEDER COLLETS WITH INTERNAL THREAD



BARFEEDER COLLETS WITH PIN TYPE

Feed Finger Capacity

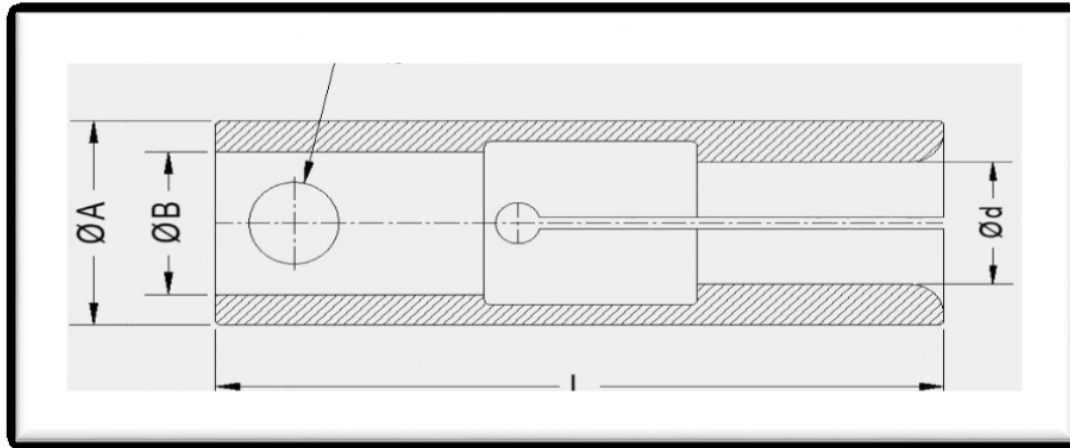


Feed Finger - Model 1					
Code	A	L	T	Range	
				Minimum	Maximum
SH-BF05/01	5.15	37	M4x0.7	1	3.5
SH-BF8.5/01	8.5	30	M5x0.8	1	7
SH-BF09/01	9	40	M6x0.75	1	7
SH-BF10/03	10	46	M6x1 LH	1	8
SH-BF10/04	10	42	M6x0.75	1	8
SH-BF10/06	10	50	M5x0.8 LH	1	8
SH-BF10/08	10	50	M5x0.8	1	8
SH-BF12/04	12	40	M6x1 LH	1	10
SH-BF12/06	12	42	M7x0.75	1	10
SH-BF12/07	12	45	M5x0.8 LH	1	10
SH-BF13/01	13	60	M8x1 LH	1	11
SH-BF14/01	14	42	M8x1	3	12
SH-BF15/02	15	42	M8x1	3	13
SH-BF15/03	15	60	M9x1 LH	3	13
SH-BF15/04	15	60	M10x1 LH	3	13
SH-BF15/07	15	40	M5x0.5	3	13
SH-BF15/11	15	60	M10x1	3	13
SH-BF15/12	15	60	M8x1	3	13
SH-BF16/01	16	73	M10x1 LH	3	14
SH-BF16/04	16	58	M9x1 LH	3	14
SH-BF16/06	16	42	M8x1	12	14
SH-BF18/03	18	42	M9x1 LH	6	16
SH-BF18/04	18	60	M9x1 LH	13	16
SH-BF18/05	18	59	M10x1 LH	13	16
SH-BF18/06	18	59	M10x1	13	16
SH-BF19/01	19	59	M10x1	13	17

Feed Finger Capacity

SH-BF19/06	19	60	M9x1 LH	13	17
SH-BF19/08	19	40	M8x1	12	17
SH-BF20/03	20	59	M10x1	13	18
SH-BF20/04	20	60	M10x1 LH	13	18
SH-BF20/08	20	59	M9x1 LH	13	18
SH-BF20/09	20	42	M10x1	8	18
SH-BF22/01	22	59	M10x1	18	20
SH-BF22/04	22	59	M9x1 LH	18	20
SH-BF23/04	23	59	M10X1	18	21
SH-BF23/05	23	60	M9x1 LH	18	21
SH-BF24/01	24	60	M9x1 LH	18	22
SH-BF25/06	25	59	M10x1	18	23
SH-BF25/07	25	59	M10x1 LH	18	23
SH-BF25/08	25	60	M9x1 LH	18	23
SH-BF25/09	25	60	M17x1	13	23
SH-BF27/01	27	65	M10x1 LH	15	25
SH-BF27/02	27	65	M10x1	15	25
SH-BF29/01	29	65	M18x1.5 LH	17	27
SH-BF30/01	30	65	M10x1	25	28
SH-BF30/03	30	65	M18x1.5	18	28
SH-BF30/04	30	65	M18x1.5 LH	18	28
SH-BF32/01	32	70	M17x1 LH	20	30
SH-BF32/02	32	80	M25x1.5 LH	20	30
SH-BF32/04	32	80	M25x1.5	20	30
SH-BF35/02	35	80	M25x1.5	30	33
SH-BF35/04	35	80	M25x1.5 LH	30	33
SH-BF36/01	36	100	M30x1.5	24	34
SH-BF40/01	40	80	M25x1.5	33	38
SH-BF42/02	42	90	M25x1.5 LH	30	40
SH-BF42/04	42	80	M25x1.5 LH	33	40
SH-BF05/01	44	80	M25x1.5 LH	40	42
SH-BF05/01	46	80	M25x1.5	38	44
SH-BF46/02	46	80	M25x1.5 LH	42	44

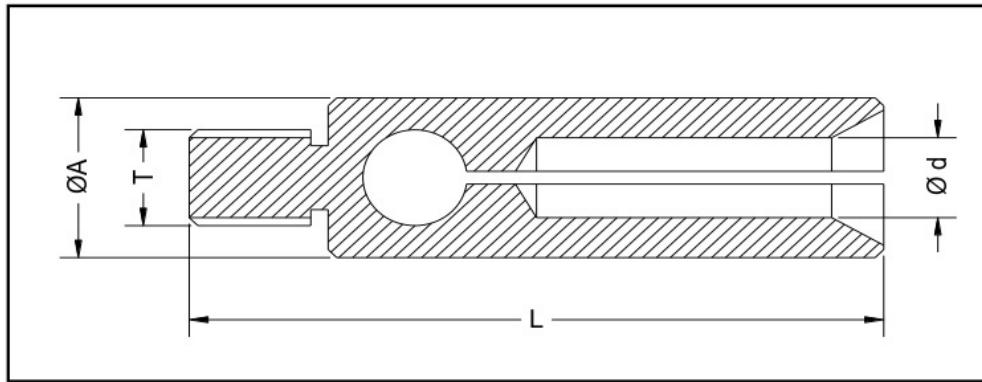
Feed Finger Capacity



Feed Finger - Model 2

Code	A	L	B	H	Range	
					Minimum	Maximum
SH-BF05/02	5	28	3.5	1.5	1	3.5
SH-BF07/04	7	37	5	3	1	5.5
SH-BF10/02	10	40	7	4	1	8
SH-BF12/05	12	40	8	4	1	10
SH-BF15/01	15	55	10	6	3	13
SH-BF15/06	15	40	11	6	3	13
SH-BF15/08	15	50	11	6	3	13
SH-BF15/10	15	55	7	2	3	13
SH-BF16/03	16	65	11	6	3	14
SH-BF16/05	16	40	11	6	3	14
SH-BF17/01	17	55	7	2	13	15
SH-BF17/02	17	45	11	6	5	15
SH-BF19/02	19	57	10	6	3	17
SH-BF19/04	19	57	10	2	3	17
SH-BF19/07	19	40	11	6	13	17
SH-BF20/05	20	56	10	6	13	18
SH-BF20/06	20	65	14	8	3	18
SH-BF22/02	22	65	14	8	18	20
SH-BF25/02	25	65	20	8	3	23
SH-BF25/03	25	76	16	8	3	23
SH-BF30/02	30	65	20	8	23	28
SH-BF32/05	32	65	20	8	28	30
SH-BF32/06	32	76	16	8	23	30
SH-BF34/01	34	90	20	8	18	32
SH-BF35/03	35	65	20	8	30	33

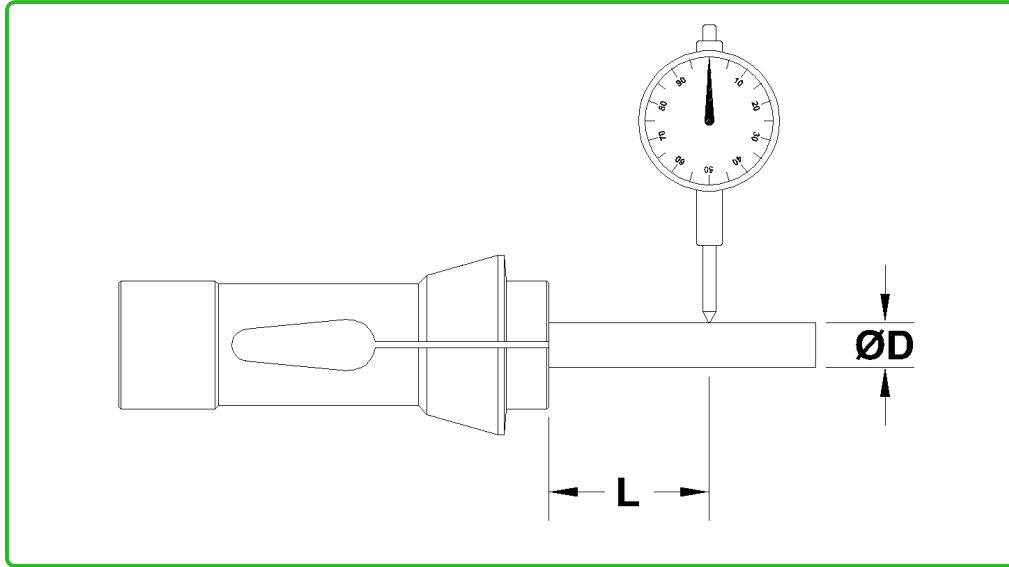
Feed Finger Capacity



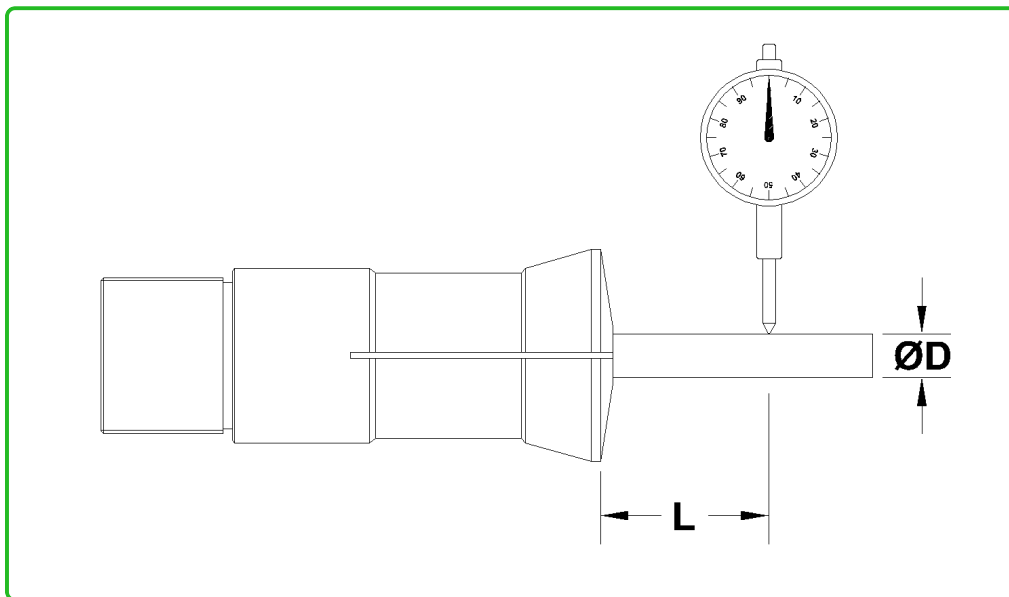
Feed Finger - Model 3

				Range	
Code	A	L	T	Minimum	Maximum
SH-BF5.5/01	5.5	31	M3	1	4
SH-BF7/02	7	40	M6x1LH	1	5
SH-BF8/01	8	40	M6x1	1	6
SH-BF10/01	10	40	M6x1LH	1	8
SH-BF11.5/01	11.5	40	M6x1	6	10
SH-BF12/02	12	40	M6x1LH	8	10
SH-BF15/13	15	40	M6x1LH	3	13

Runout



RUNOUT - COLLET



RUNOUT - GUIDE BUSH

Runout

RUN OUT TOLERANCE				
	Round Bores(T Maximum)		HEX./sq.Bores(T Maximum)	
Bore Size	Standard Precision	Ultra Precision	Standard Precision	Ultra Precision
1.00-10.00	0.010	0.005	0.060	0.030
10.01-20.00	0.015	0.008	0.060	0.040
20.01-30.00	0.020	0.010	0.060	0.040
30.01-40.00	0.025	0.012	0.060	0.040

Factory



SKY HILLS INDUSTRIES

Precision Quality Excellence



Precision Perfected Here



SkyHills Industries

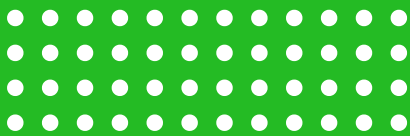
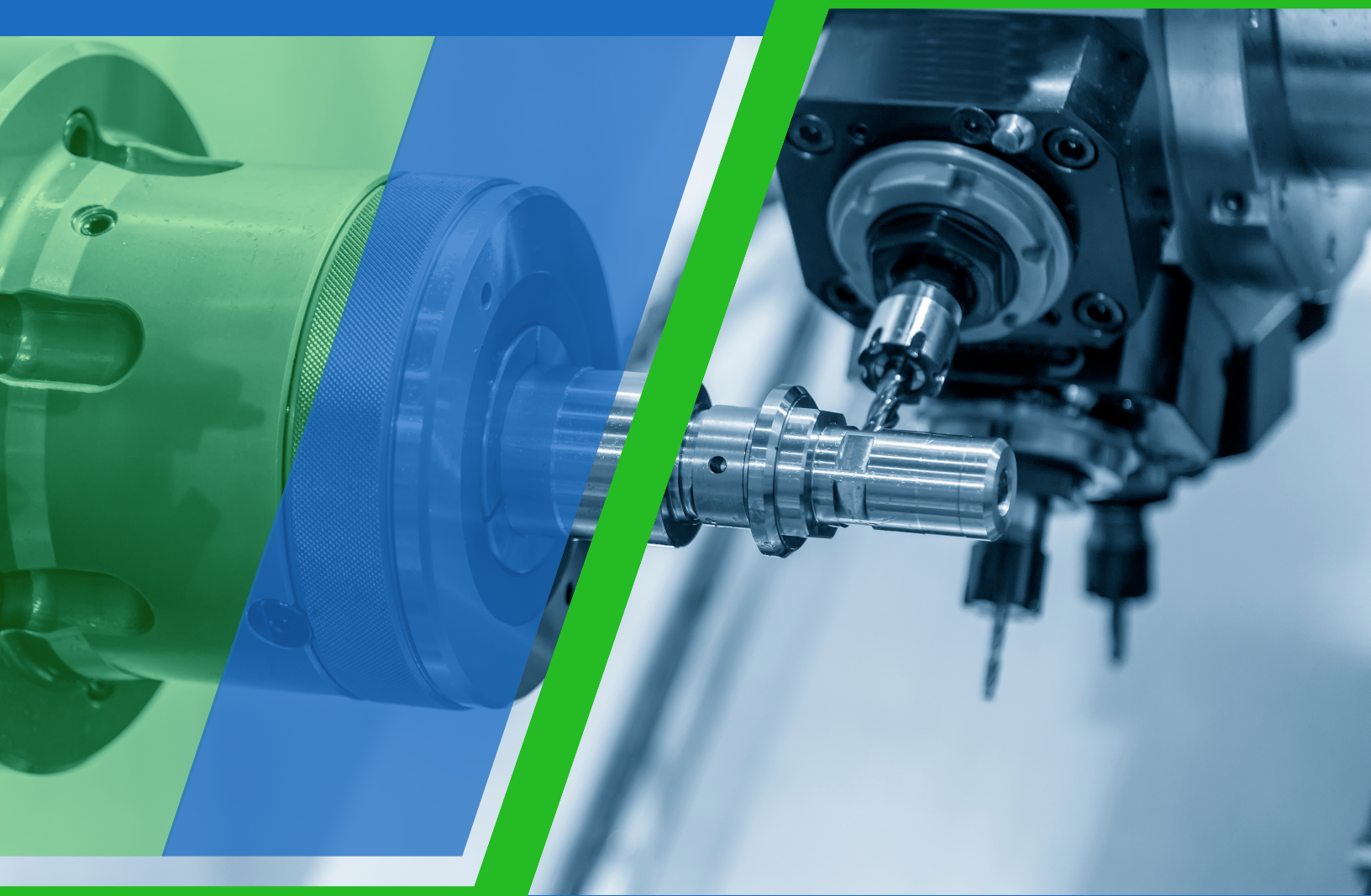
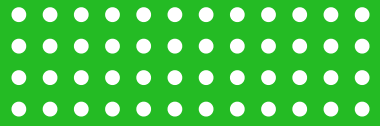
www.skyhillsindustries.com





SKY HILLS INDUSTRIES

Precision. Quality. Excellence.



SkyHills Industries



+91 90420 18641 , 0422 2981448



SF.NO 697/2, GD,33. SRINIVASA NAGAR,
KURICHI VILLAGE, MADUKKARAI ROAD,
COIMBATORE, TAMILNADU-641021.



info@skyhillsindustries.com



www.skyhillsindustries.com



www.skyhillsindustries.com



+91 90420 18641



Coimbatore