



SKYHILLS INDUSTRIES

Precision.

Quality.

Excellence.



Global Leader in Machine Tools

1 Collet

2 Guide Bush

3 Feed Finger

**High Precision Collets & Guide Bushes
For Swiss Type CNC Automatic Lathe**



www.skyhillsindustries.com

Machines - Maschines - Maccine

 THE ULTIMATE MACHINING POWER
WOODWAY

ANCA[®]

André Bechler SA
Moutier

Cincom

CITIZEN
Micro_HumanTech

DOOSAN

 Hanwha

 **HARDINGE**

TORNOS 

INDEX
TRAUB

 **JINN FA**
Machine

KSI

CITIZEN
Miyano

MAIER

 **EWAG**

MANURHIN KMX

Miyano
The world leader in precision

NEXTURN
SWISS TURN LEADER

Machines - Maschines - Macchine

NOMURA

Petermann

POLYGIM

ROLLOMATIC

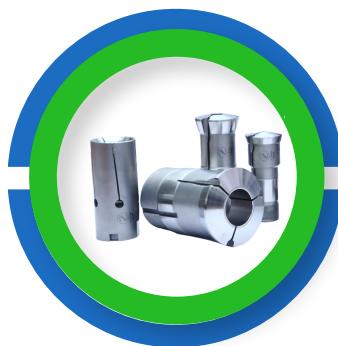
stair

Strohm

Swistek
HYBRID Type-Swiss CNC Lathes

TSUGAMI

TORNOS



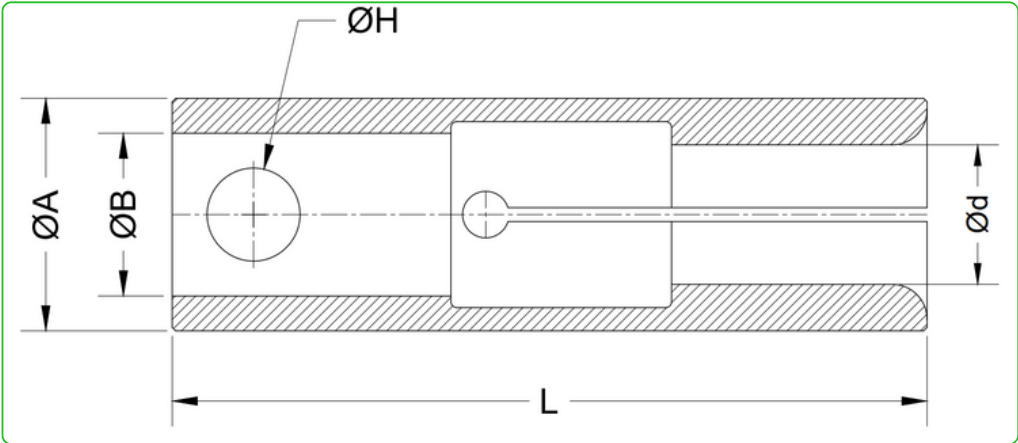
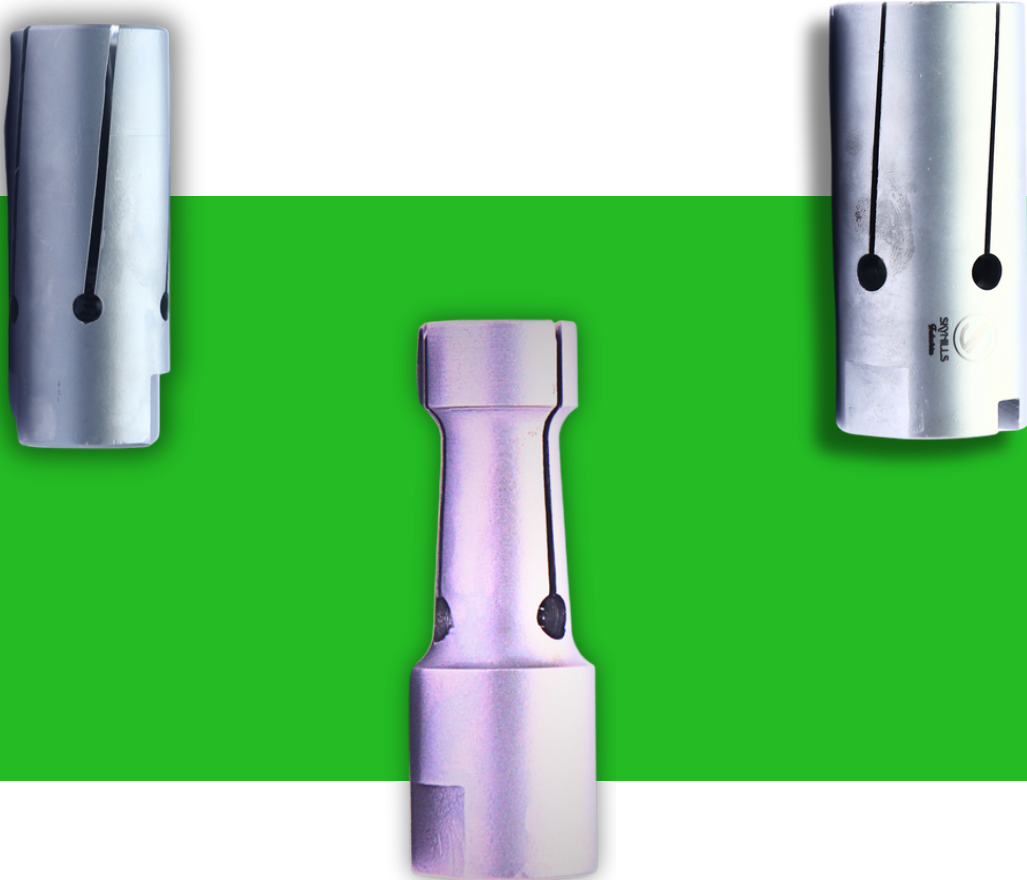
SKYHILLS INDUSTRIES



High Precision Collets & Guide Bushes For Swiss Type CNC Automatic Lathe

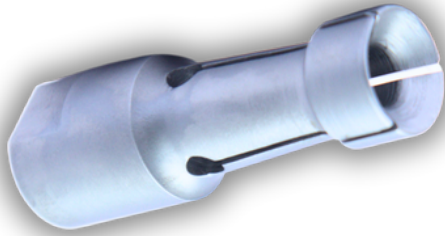


Feed Finger Capacity

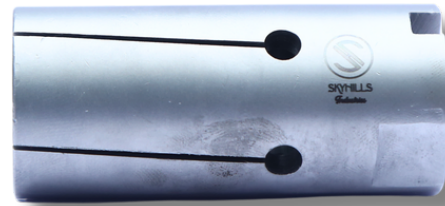
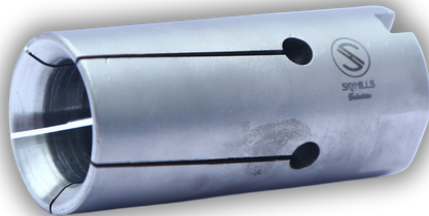


All dimensions are in millimeters (mm)

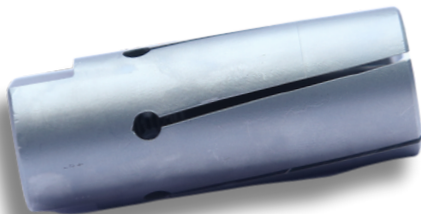
Feed Finger Capacity



BARFEEDER COLLETS WITH INTERNAL THREAD

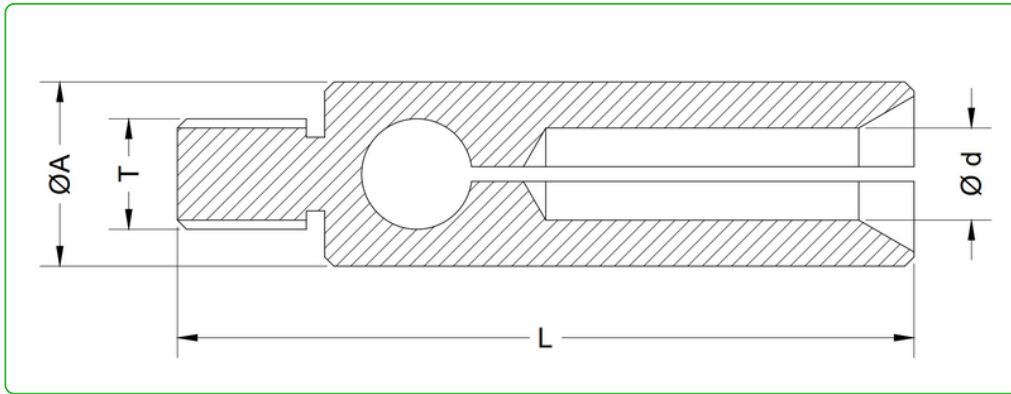


BARFEEDER COLLETS WITH INTERNAL THREAD

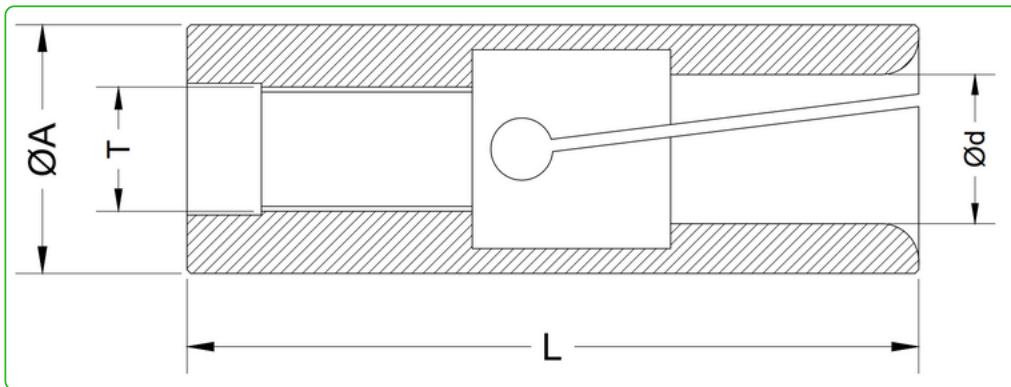


BARFEEDER COLLETS WITH PIN TYPE

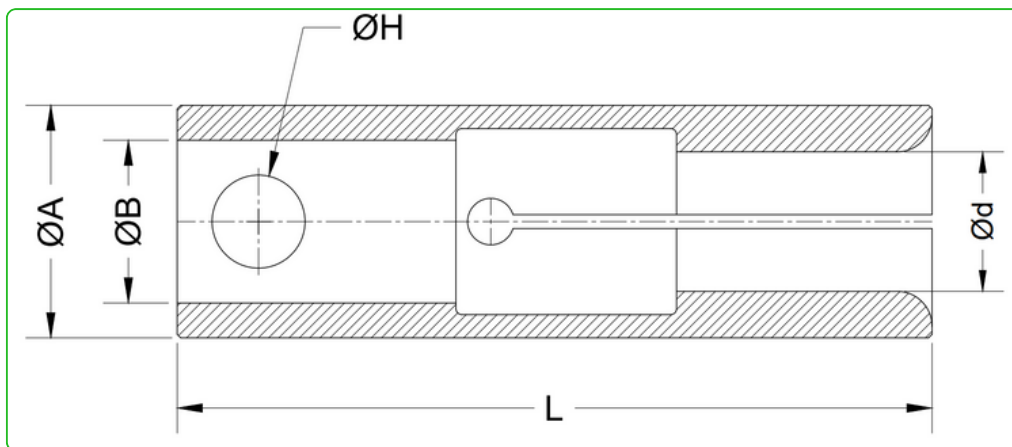
Feed Finger Capacity



BARFEEDER COLLETS WITH INTERNAL THREAD

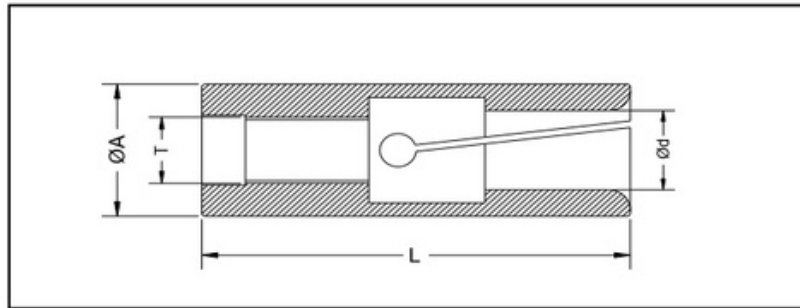


BARFEEDER COLLETS WITH INTERNAL THREAD



BARFEEDER COLLETS WITH PIN TYPE

Feed Finger Capacity

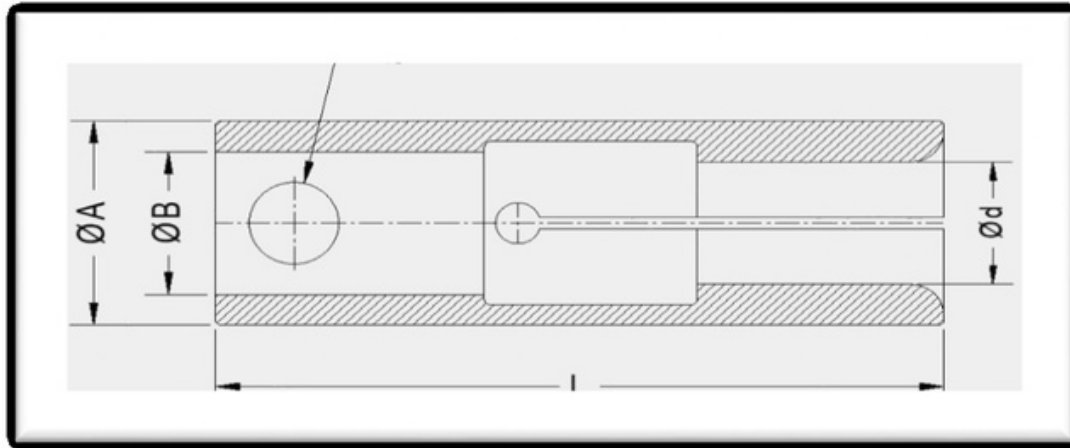


Feed Finger - Model 1					
Code	A	L	T	Range	
				Minimum	Maximum
SH-BF05/01	5.15	37	M4x0.7	1	3.5
SH-BF8.5/01	8.5	30	M5x0.8	1	7
SH-BF09/01	9	40	M6x0.75	1	7
SH-BF10/03	10	46	M6x1 LH	1	8
SH-BF10/04	10	42	M6x0.75	1	8
SH-BF10/06	10	50	M5x0.8 LH	1	8
SH-BF10/08	10	50	M5x0.8	1	8
SH-BF12/04	12	40	M6x1 LH	1	10
SH-BF12/06	12	42	M7x0.75	1	10
SH-BF12/07	12	45	M5x0.8 LH	1	10
SH-BF13/01	13	60	M8x1 LH	1	11
SH-BF14/01	14	42	M8x1	3	12
SH-BF15/02	15	42	M8x1	3	13
SH-BF15/03	15	60	M9x1 LH	3	13
SH-BF15/04	15	60	M10x1 LH	3	13
SH-BF15/07	15	40	M5x0.5	3	13
SH-BF15/11	15	60	M10x1	3	13
SH-BF15/12	15	60	M8x1	3	13
SH-BF16/01	16	73	M10x1 LH	3	14
SH-BF16/04	16	58	M9x1 LH	3	14
SH-BF16/06	16	42	M8x1	12	14
SH-BF18/03	18	42	M9x1 LH	6	16
SH-BF18/04	18	60	M9x1 LH	13	16
SH-BF18/05	18	59	M10x1 LH	13	16
SH-BF18/06	18	59	M10x1	13	16
SH-BF19/01	19	59	M10x1	13	17

Feed Finger Capacity

SH-BF19/06	19	60	M9x1 LH	13	17
SH-BF19/08	19	40	M8x1	12	17
SH-BF20/03	20	59	M10x1	13	18
SH-BF20/04	20	60	M10x1 LH	13	18
SH-BF20/08	20	59	M9x1 LH	13	18
SH-BF20/09	20	42	M10x1	8	18
SH-BF22/01	22	59	M10x1	18	20
SH-BF22/04	22	59	M9x1 LH	18	20
SH-BF23/04	23	59	M10X1	18	21
SH-BF23/05	23	60	M9x1 LH	18	21
SH-BF24/01	24	60	M9x1 LH	18	22
SH-BF25/06	25	59	M10x1	18	23
SH-BF25/07	25	59	M10x1 LH	18	23
SH-BF25/08	25	60	M9x1 LH	18	23
SH-BF25/09	25	60	M17x1	13	23
SH-BF27/01	27	65	M10x1 LH	15	25
SH-BF27/02	27	65	M10x1	15	25
SH-BF29/01	29	65	M18x1.5 LH	17	27
SH-BF30/01	30	65	M10x1	25	28
SH-BF30/03	30	65	M18x1.5	18	28
SH-BF30/04	30	65	M18x1.5 LH	18	28
SH-BF32/01	32	70	M17x1 LH	20	30
SH-BF32/02	32	80	M25x1.5 LH	20	30
SH-BF32/04	32	80	M25x1.5	20	30
SH-BF35/02	35	80	M25x1.5	30	33
SH-BF35/04	35	80	M25x1.5 LH	30	33
SH-BF36/01	36	100	M30x1.5	24	34
SH-BF40/01	40	80	M25x1.5	33	38
SH-BF42/02	42	90	M25x1.5 LH	30	40
SH-BF42/04	42	80	M25x1.5 LH	33	40
SH-BF05/01	44	80	M25x1.5 LH	40	42
SH-BF05/01	46	80	M25x1.5	38	44
SH-BF46/02	46	80	M25x1.5 LH	42	44

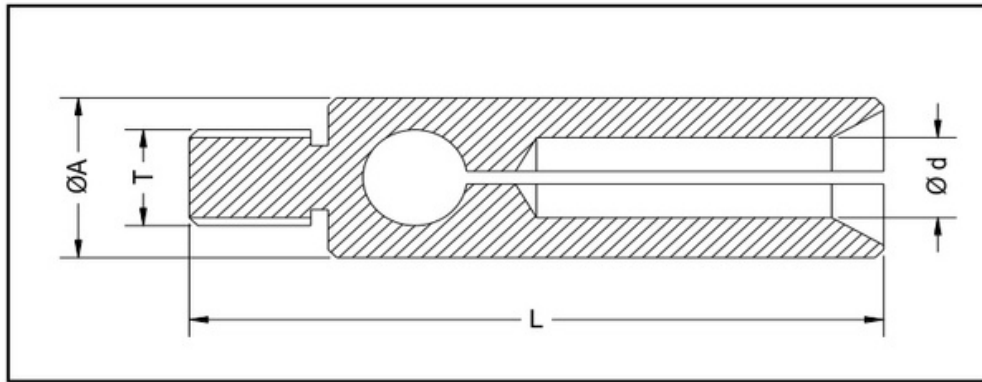
Feed Finger Capacity



Feed Finger - Model 2

Code	A	L	B	H	Range	
					Minimum	Maximum
SH-BF05/02	5	28	3.5	1.5	1	3.5
SH-BF07/04	7	37	5	3	1	5.5
SH-BF10/02	10	40	7	4	1	8
SH-BF12/05	12	40	8	4	1	10
SH-BF15/01	15	55	10	6	3	13
SH-BF15/06	15	40	11	6	3	13
SH-BF15/08	15	50	11	6	3	13
SH-BF15/10	15	55	7	2	3	13
SH-BF16/03	16	65	11	6	3	14
SH-BF16/05	16	40	11	6	3	14
SH-BF17/01	17	55	7	2	13	15
SH-BF17/02	17	45	11	6	5	15
SH-BF19/02	19	57	10	6	3	17
SH-BF19/04	19	57	10	2	3	17
SH-BF19/07	19	40	11	6	13	17
SH-BF20/05	20	56	10	6	13	18
SH-BF20/06	20	65	14	8	3	18
SH-BF22/02	22	65	14	8	18	20
SH-BF25/02	25	65	20	8	3	23
SH-BF25/03	25	76	16	8	3	23
SH-BF30/02	30	65	20	8	23	28
SH-BF32/05	32	65	20	8	28	30
SH-BF32/06	32	76	16	8	23	30
SH-BF34/01	34	90	20	8	18	32
SH-BF35/03	35	65	20	8	30	33

Feed Finger Capacity



Feed Finger - Model 3

				Range	
Code	A	L	T	Minimum	Maximum
SH-BF5.5/01	5.5	31	M3	1	4
SH-BF7/02	7	40	M6x1LH	1	5
SH-BF8/01	8	40	M6x1	1	6
SH-BF10/01	10	40	M6x1LH	1	8
SH-BF11.5/01	11.5	40	M6x1	6	10
SH-BF12/02	12	40	M6x1LH	8	10
SH-BF15/13	15	40	M6x1LH	3	13

Factory



SKY HILLS INDUSTRIES

Precision Quality Excellence



Precision Perfected Here



SkyHills Industries

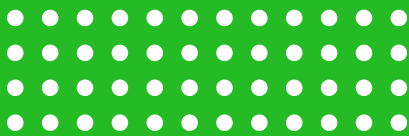
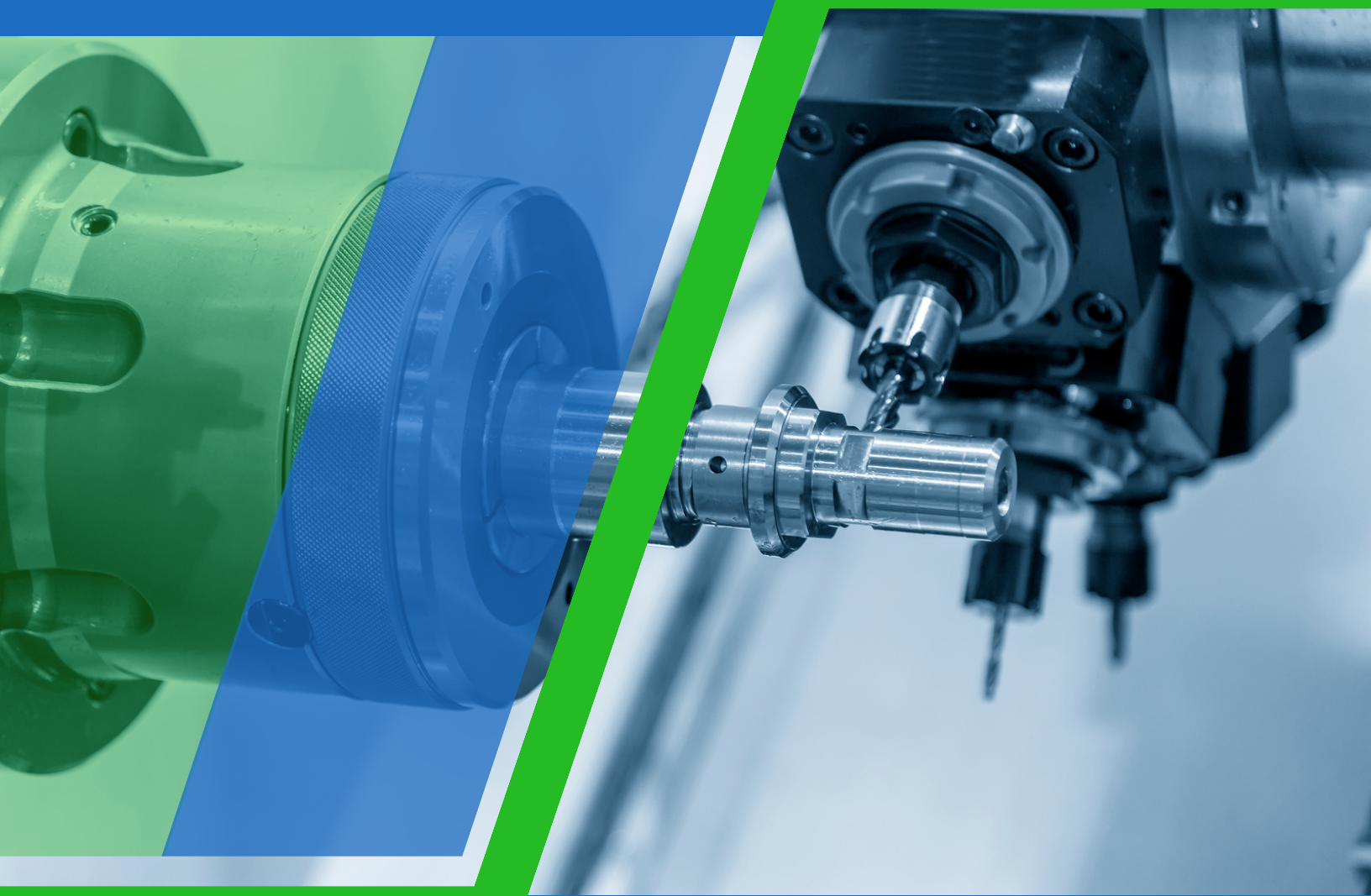
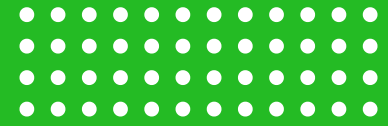
www.skyhillsindustries.com





SKY HILLS INDUSTRIES

Precision. Quality. Excellence.



SkyHills Industries



+91 90420 18641 , 0422 2981448



SF.NO 697/2, GD,33. SRINIVASA NAGAR,
KURICHI VILLAGE, MADUKKARAI ROAD,
COIMBATORE, TAMILNADU-641021.



info@skyhillsindustries.com



www.skyhillsindustries.com



www.skyhillsindustries.com



+91 90420 18641



Coimbatore